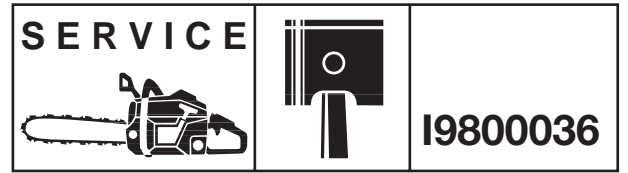


Jonsered



IPL, 2083 II EPA, 1998-09, 106 25 30-61

2083 II EPA

Spare parts

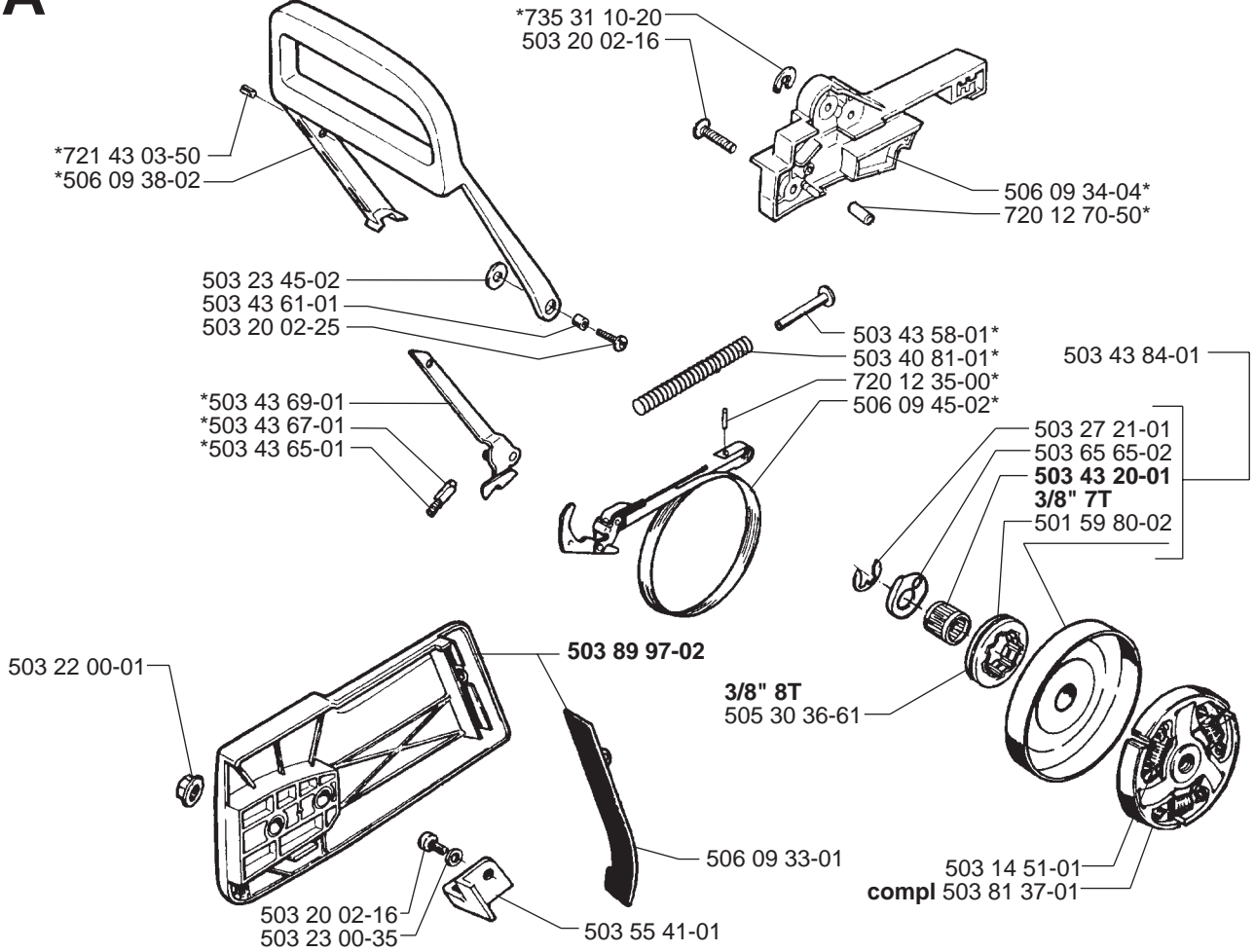
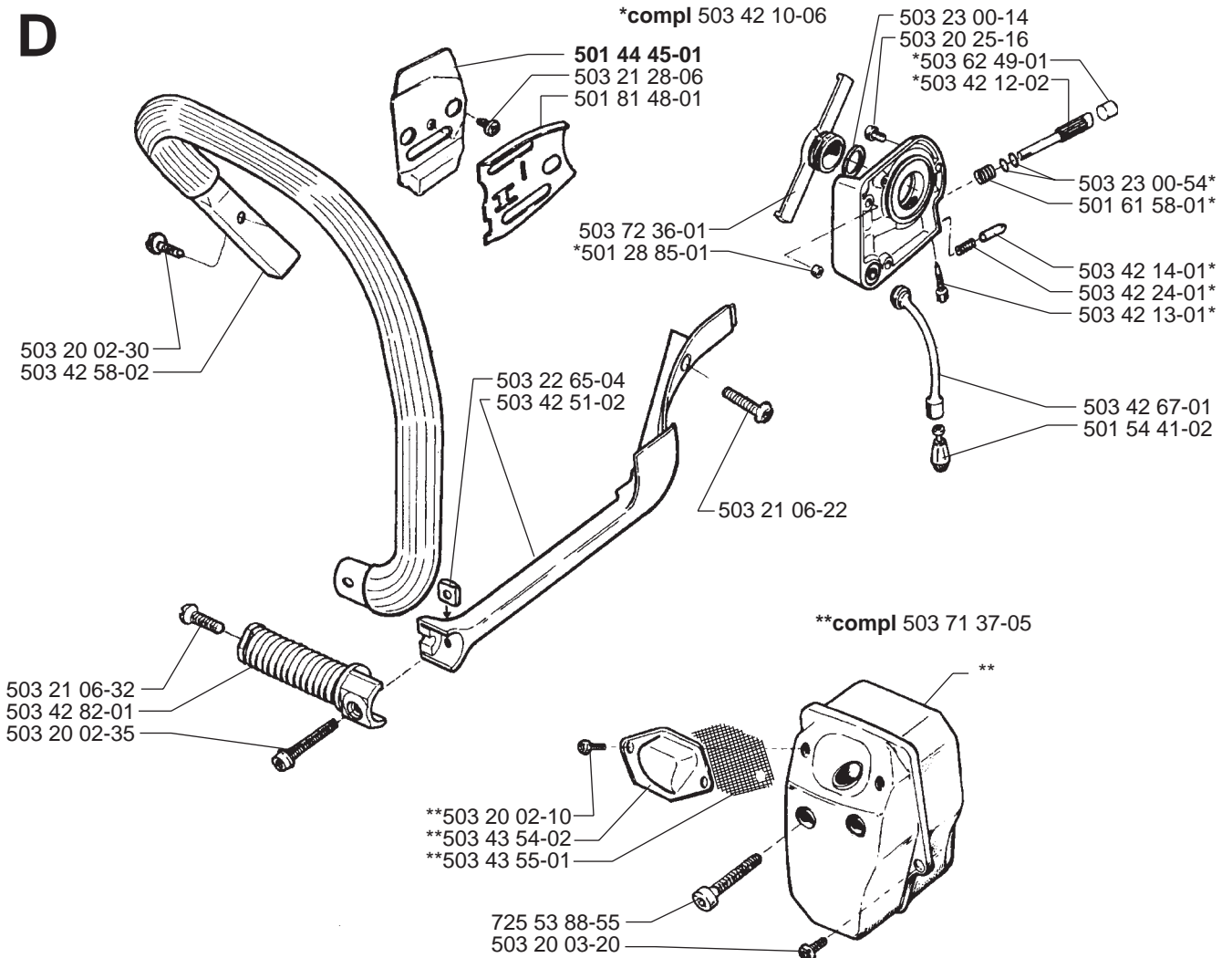
Ersatzteile

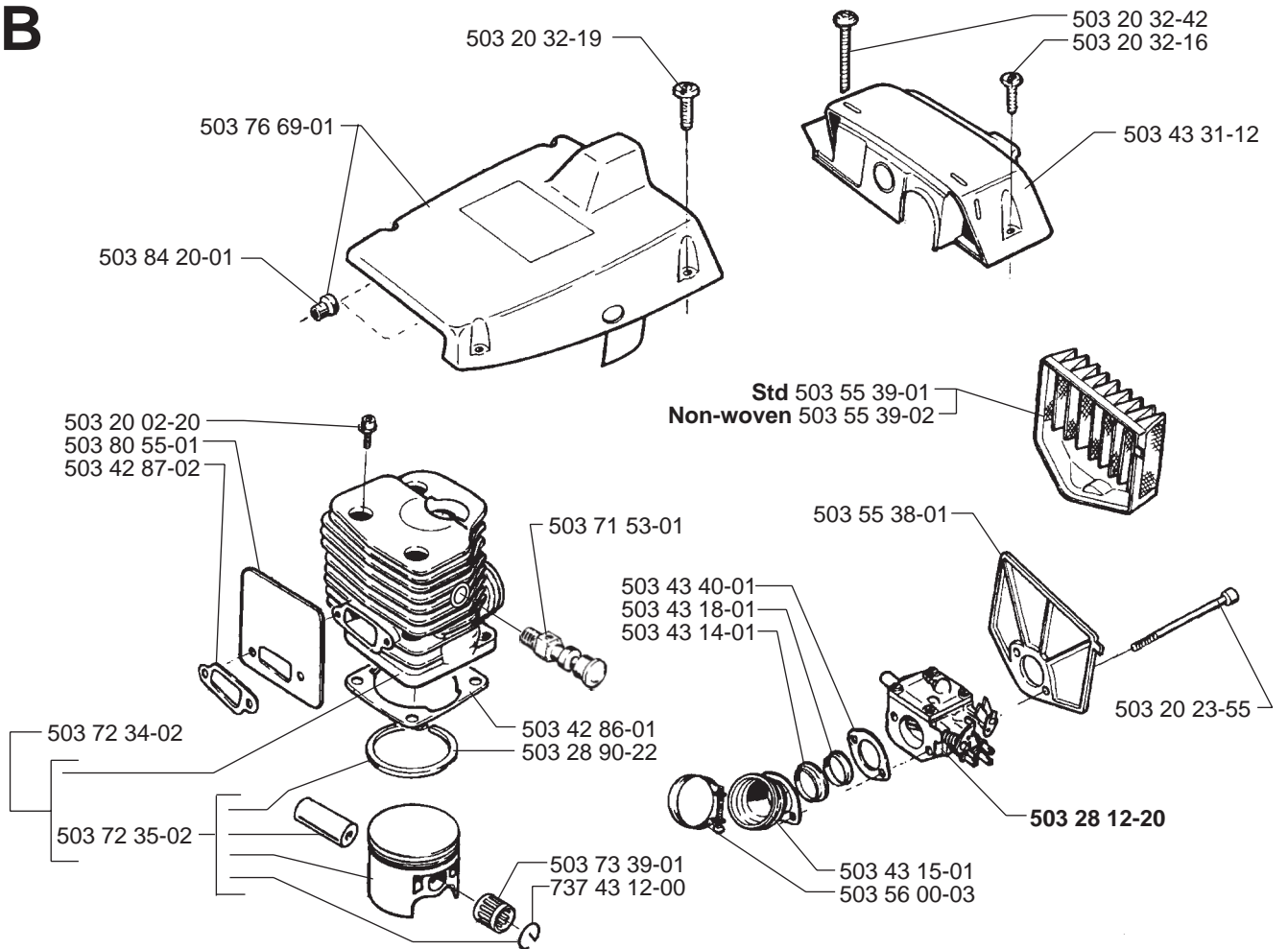
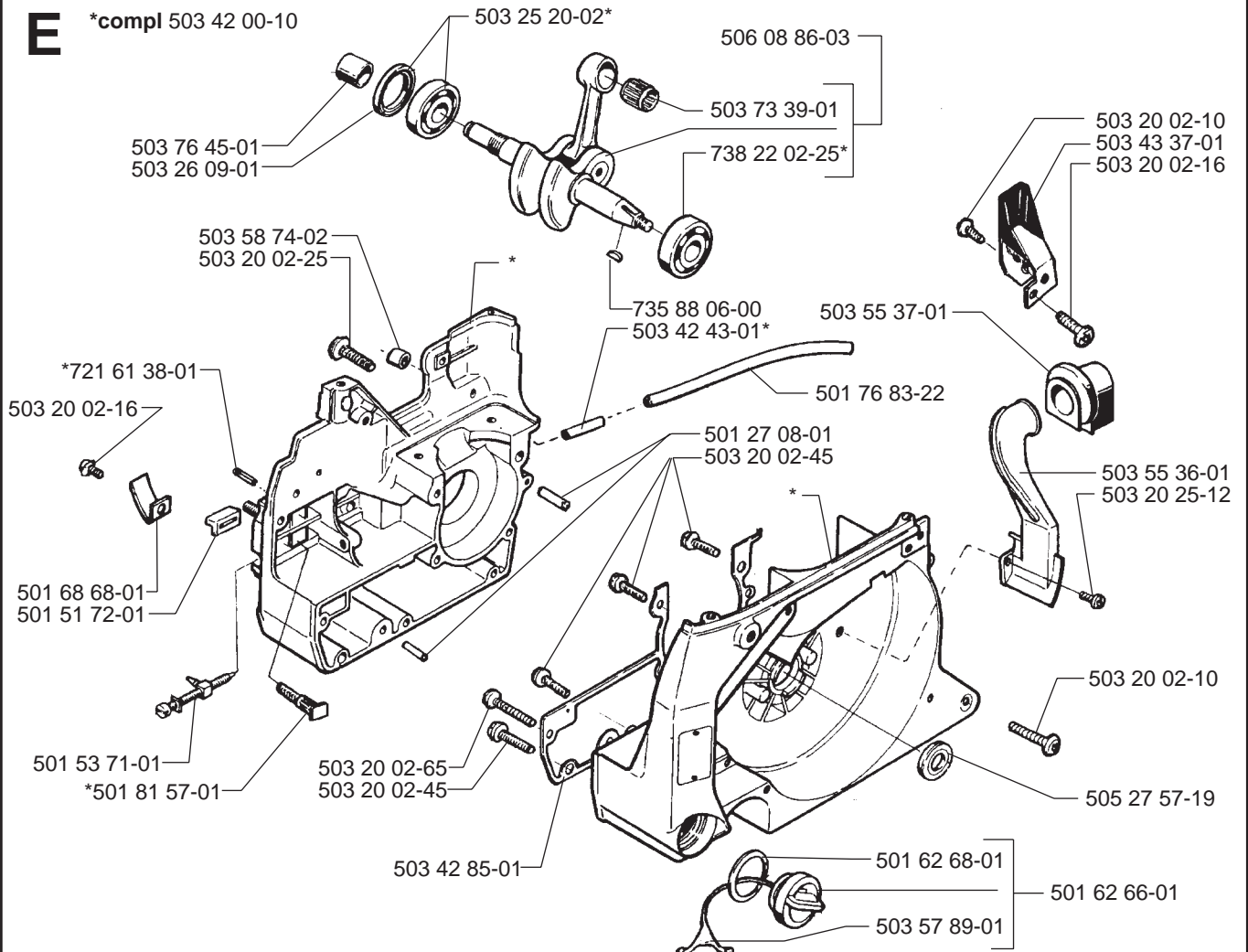
Pièces détachées

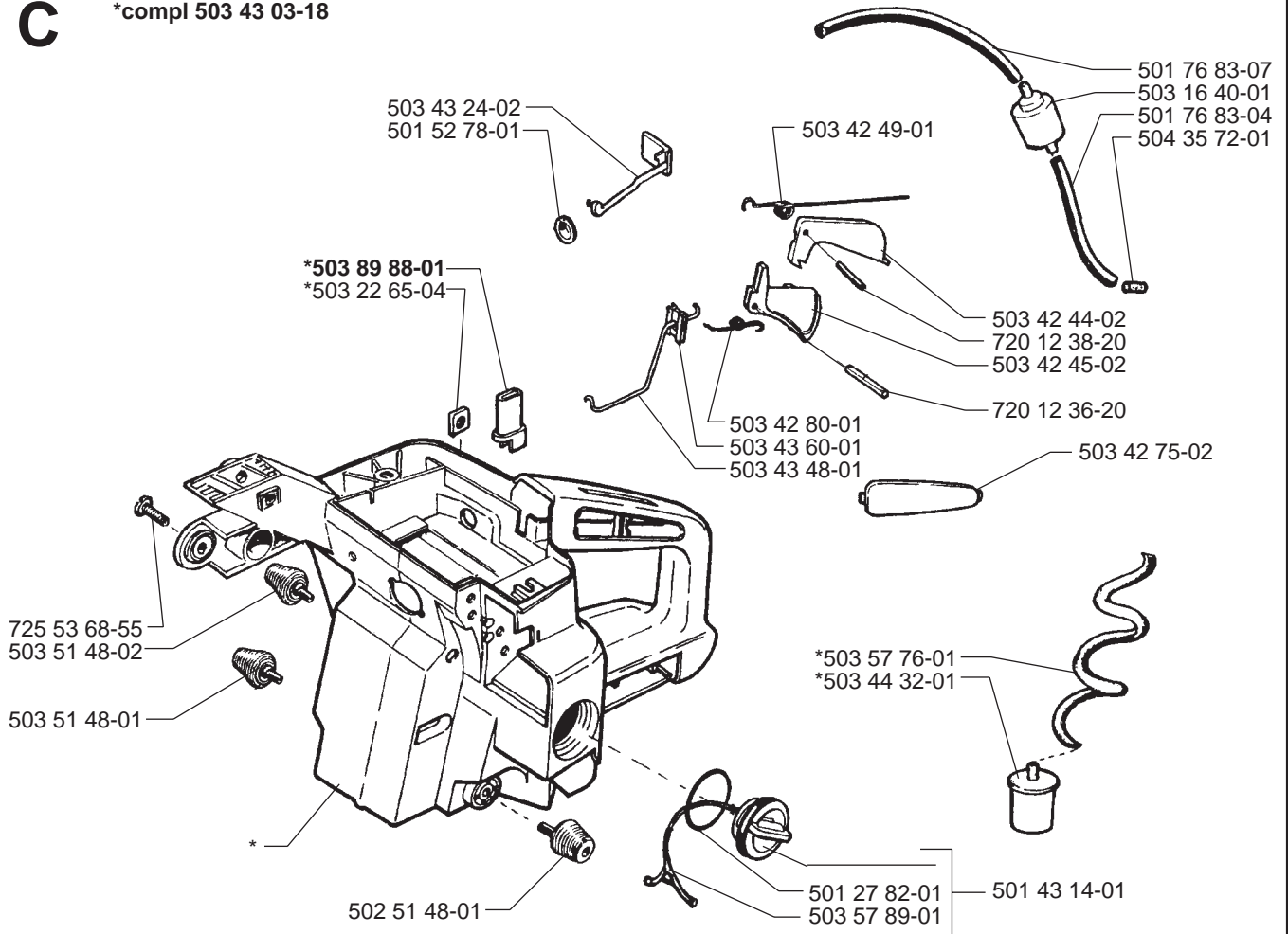
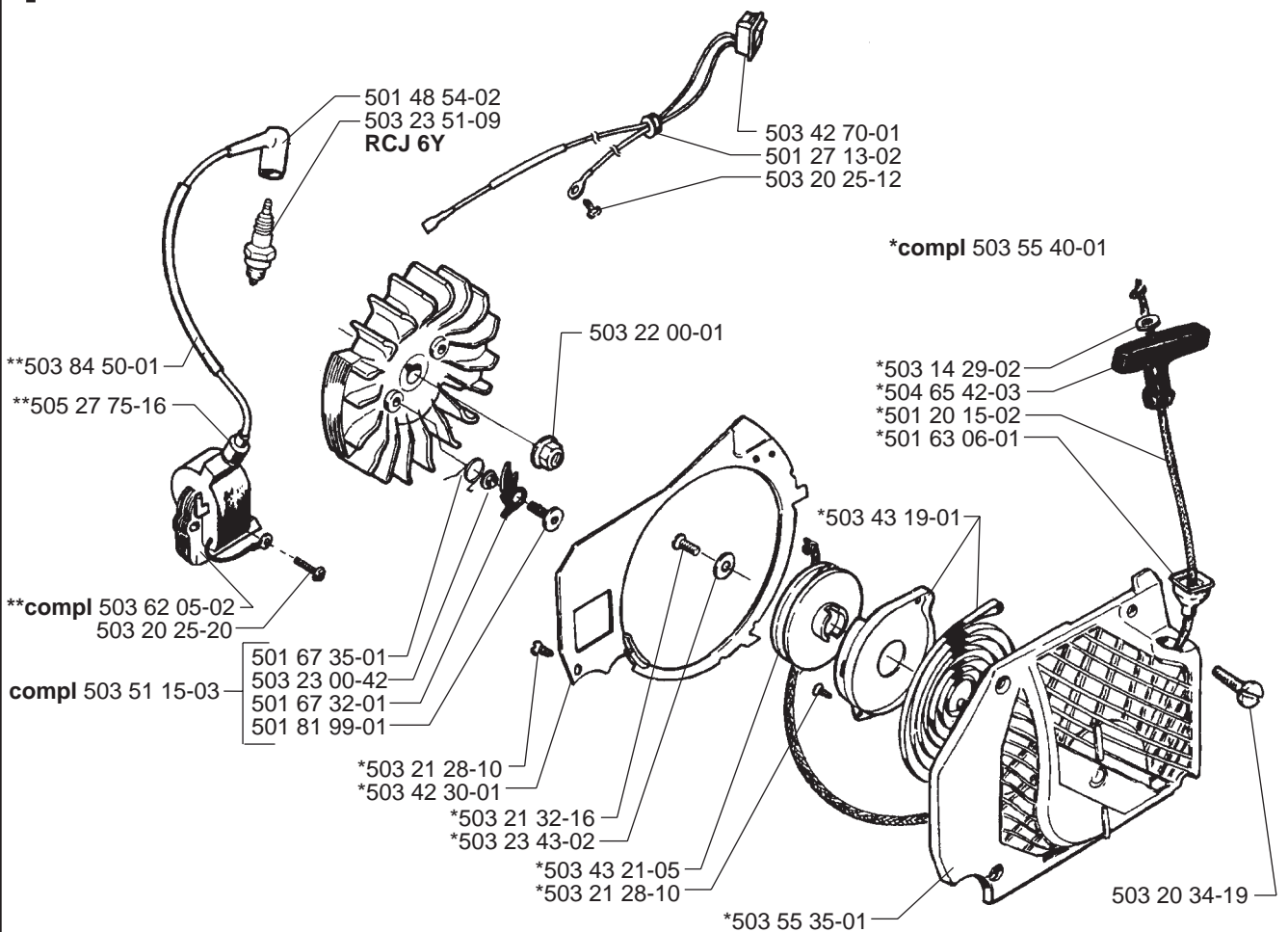
Reserve onderdelen

Repuestos

Reservdelar

A***compl 506 09 44-06****D*****compl 503 42 10-06**

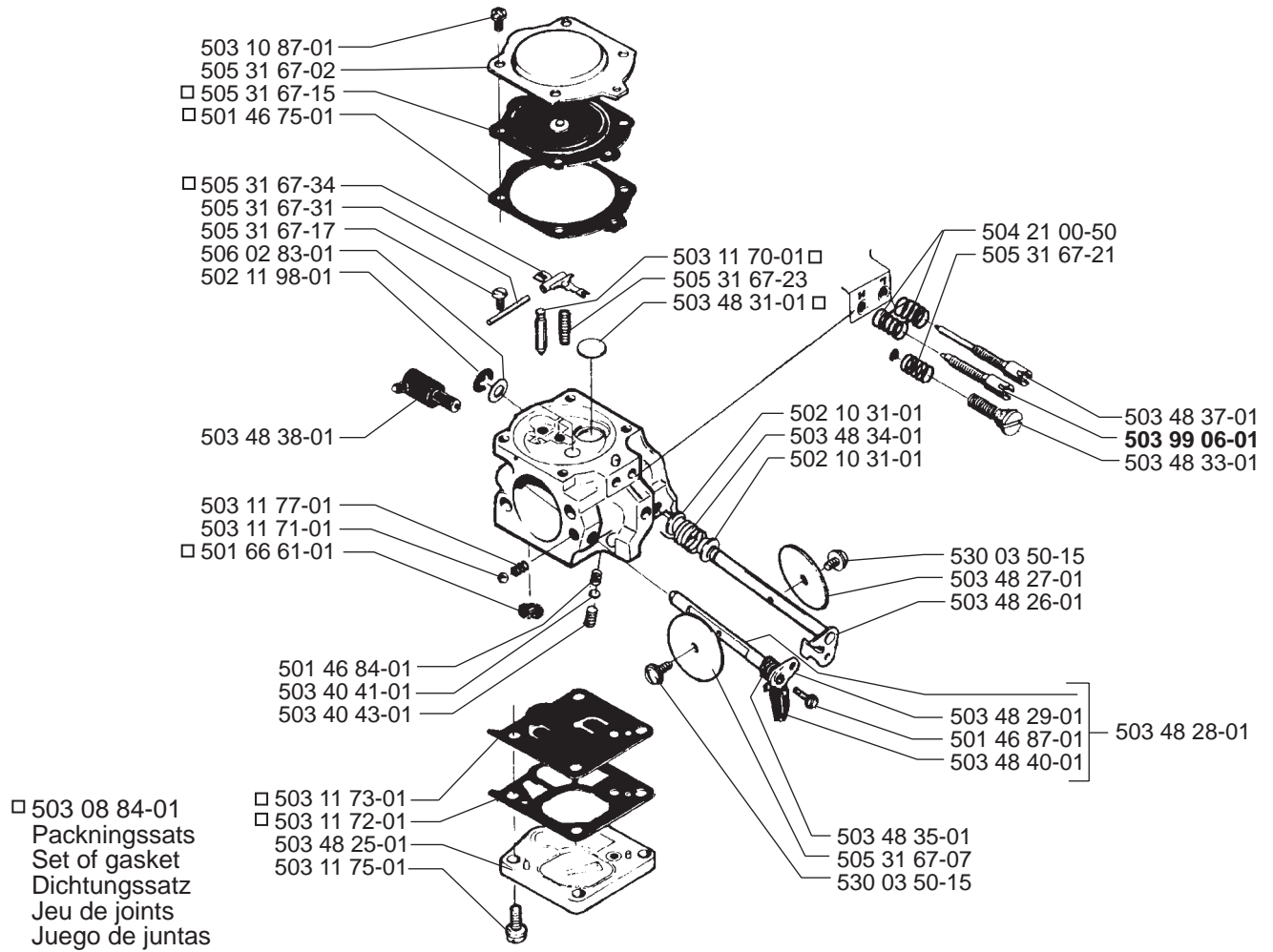
B**E**

C***compl 503 43 03-18****F**

G

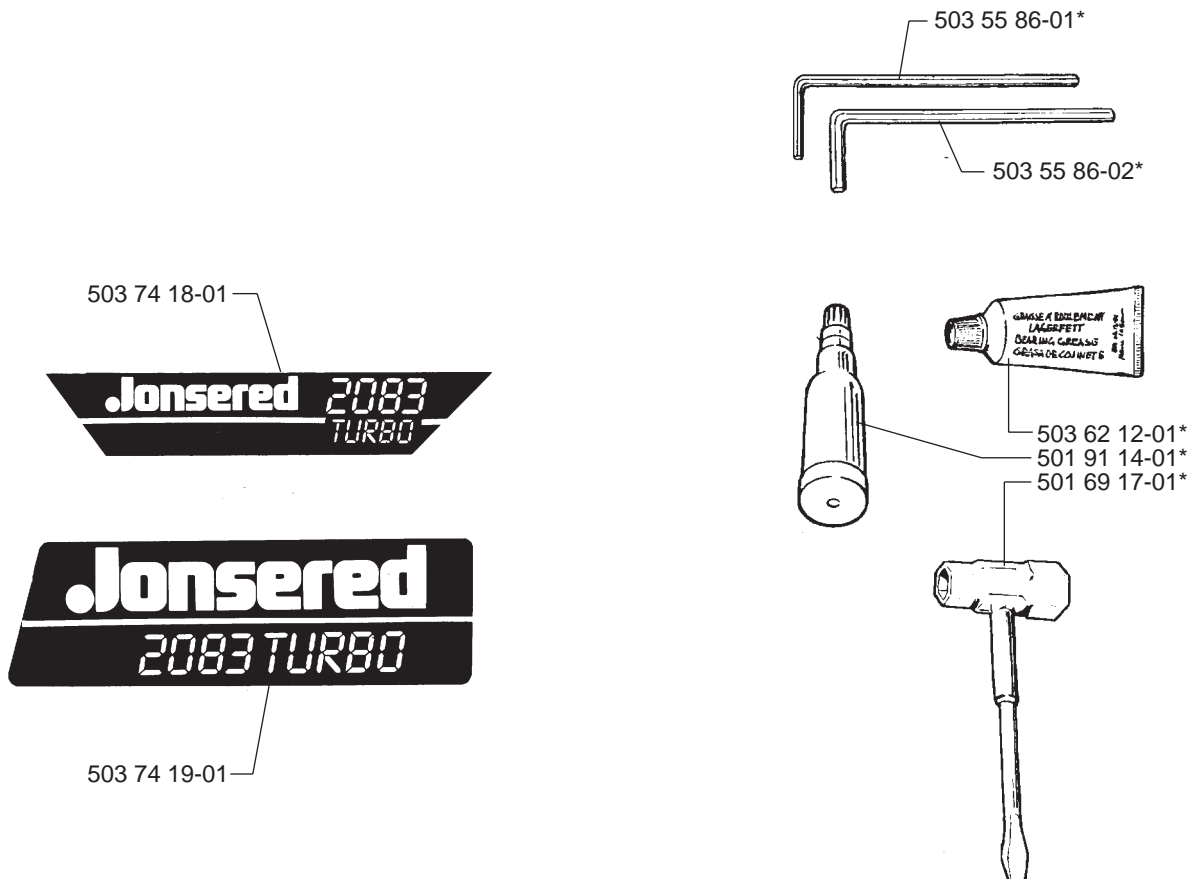
compl 503 28 12-20

Walbro WJ 28 C

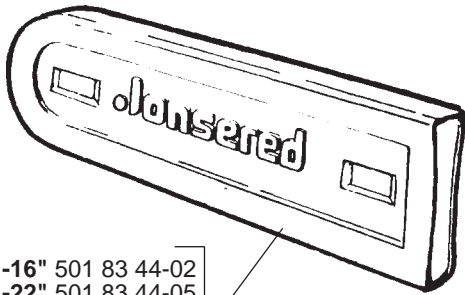


H

*compl 503 55 85-01

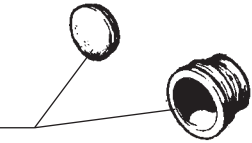


I

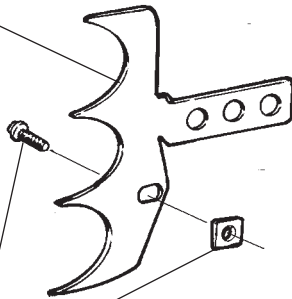


13"-16" 501 83 44-02
18"-22" 501 83 44-05
24"-28" 501 83 45-02

Vintersats
Winterkit
503 43 44-02

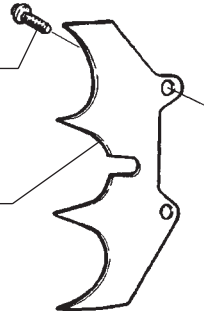


503 74 28-01



503 20 02-12
503 22 65-04

503 20 02-16



503 42 66-01

J EPA, USA only

503 74 19-02



503 74 18-02

503 90 80-20

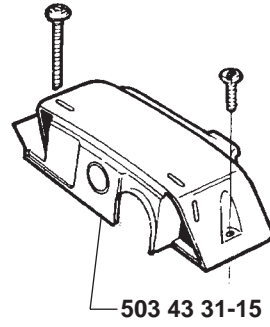
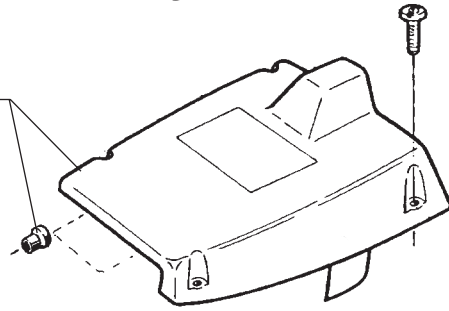


This saw is capable of severe kickback. Do not operate it unless you have extraordinary cutting needs and experience and specialized training for dealing with kickback. Chain saws with significantly reduced kickback potential are available. Follow all safety precautions in the Operator's Manual (s). Failure to follow instructions could result in serious personal injury.

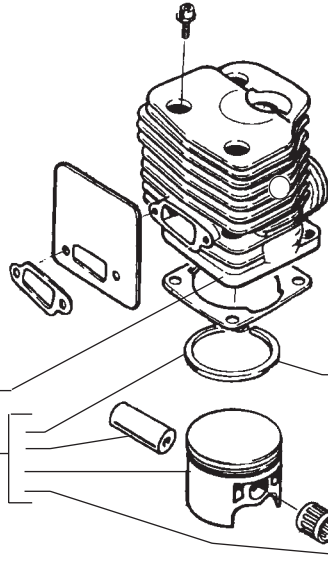
IMPORTANT ENGINE INFORMATION
Jonsered 2083 II 76cc WHVXS. 0765RA
JONSERED HUSKVARNA SWEDEN EM
THIS ENGINE CONFORMS TO U.S. EPA PH 1 EMISSION REGULATION FOR SMALL NONROAD ENGINES.
REFER TO OPERATOR'S MANUAL FOR MAINTENANCE SPECIFICATIONS AND ADJUSTMENTS.

K EPA, USA only

503 76 69-08



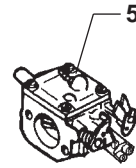
503 43 31-15



503 99 92-71

503 28 90-19

503 42 08-02

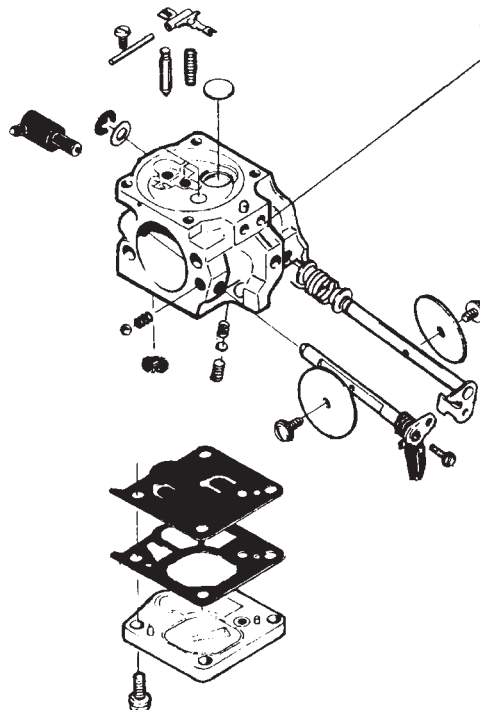
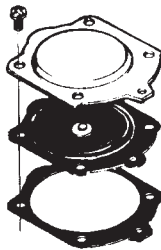


503 28 12-14

L EPA, USA only

compl 503 28 12-14

Walbro WJ 77



503 99 05-01
503 99 04-01

503 91 39-01
503 91 40-01
503 91 54-01

MODEL NUMBER 2083

PART NUMBER	SQUARE	NOTE	PART NUMBER	SQUARE	NOTE	PART NUMBER	SQUARE	NOTE	PART NUMBER	SQUARE	NOTE
501 20 15-02	F		503 21 32-16	F		503 48 28-01	G		505 31 67-23	G	
501 27 08-01	E		503 22 00-01	AF		503 48 29-01	G		505 31 67-31	G	
501 27 13-02	F		503 22 65-04	CDI		503 48 31-01	G		505 31 67-34	G	
501 27 82-01	C		503 23 00-14	D		503 48 33-01	G		506 02 83-01	G	
501 28 85-01	D		503 23 00-35	A		503 48 34-01	G		506 08 86-03	E	
501 43 14-01	C		503 23 00-42	F		503 48 35-01	G		506 09 33-01	A	
501 44 45-01	D	N	503 23 00-54	D		503 48 37-01	G		506 09 34-04	A	
501 46 75-01	G		503 23 43-02	F		503 48 38-01	G		506 09 38-02	A	
501 46 84-01	G		503 23 45-02	A		503 48 40-01	G		506 09 44-06	A	
501 46 87-01	G		503 23 51-09	F		503 51 15-03	F		506 09 45-02	A	
501 48 54-02	F		503 25 20-02	E		503 51 48-01	C		530 03 50-15	G	
501 51 72-01	E		503 26 09-01	E		503 51 48-02	C		720 12 35-00	A	
501 52 78-01	C		503 27 21-01	A		503 55 35-01	F		720 12 36-20	C	
501 53 71-01	E		503 28 12-14	KL	N, EPA	503 55 36-01	E		720 12 38-20	C	
501 54 41-02	D		503 28 12-20	BG	N	503 55 37-01	E		720 12 70-50	A	
501 59 80-02	A		503 28 90-19	K	N, EPA	503 55 38-01	B		721 43 03-50	A	
501 61 58-01	D		503 28 90-22	B		503 55 39-01	B		721 61 38-01	E	
501 62 66-01	E		503 40 41-01	G		503 55 39-02	B		725 53 68-55	C	
501 62 68-01	E		503 40 43-01	G		503 55 40-01	F		725 53 88-55	D	
501 63 06-01	F		503 40 81-01	A		503 55 41-01	A		735 31 10-20	A	
501 66 61-01	G		503 42 00-10	E		503 55 85-01	H		735 88 06-00	E	
501 67 32-01	F		503 42 08-02	K	N, EPA	503 55 86-01	H		737 43 12-00	B	
501 67 35-01	F		503 42 10-06	D		503 55 86-02	H		738 22 02-25	E	
501 68 68-01	E		503 42 12-02	D		503 56 00-03	B				
501 69 17-01	H		503 42 13-01	D		503 57 76-01	C				
501 76 83-04	C		503 42 14-01	D		503 57 89-01	CE				
501 76 83-07	C		503 42 24-01	D		503 58 74-02	E				
501 76 83-22	E		503 42 30-01	F		503 62 05-02	F				
501 81 48-01	D		503 42 43-01	E		503 62 12-01	H				
501 81 57-01	E		503 42 44-02	C		503 62 49-01	D				
501 81 99-01	F		503 42 45-02	C		503 65 65-02	A				
501 83 44-02	I		503 42 49-01	C		503 71 37-05	D				
501 83 44-05	I		503 42 51-02	D		503 71 53-01	B				
501 83 45-02	I		503 42 58-02	D		503 72 34-02	B				
501 91 14-01	H		503 42 66-01	I		503 72 35-02	B				
502 10 31-01	G		503 42 67-01	D		503 72 36-01	D				
502 11 98-01	G		503 42 70-01	F		503 73 39-01	BE				
503 08 84-01	G		503 42 75-02	C		503 74 18-01	H				
503 10 87-01	G		503 42 80-01	C		503 74 18-02	J	N, EPA			
503 11 70-01	G		503 42 82-01	D		503 74 19-01	H				
503 11 71-01	G		503 42 85-01	E		503 74 19-02	J	N, EPA			
503 11 72-01	G		503 42 86-01	B		503 74 28-01	I				
503 11 73-01	G		503 42 87-02	B		503 76 45-01	E				
503 11 75-01	G		503 43 03-18	C	N	503 76 69-01	B				
503 11 77-01	G		503 43 14-01	B		503 76 69-08	K	N, EPA			
503 14 29-02	F		503 43 15-01	B		503 80 55-01	B				
503 14 51-01	A		503 43 18-01	B		503 81 37-01	A				
503 16 40-01	C		503 43 19-01	F		503 84 20-01	B				
503 20 02-10	DE		503 43 20-01	A	N	503 84 50-01	F				
503 20 02-12	I		503 43 21-05	F		503 89 88-01	C	N			
503 20 02-16	AEI		503 43 24-02	C		503 89 97-02	A	N			
503 20 02-20	B		503 43 31-12	B		503 90 80-20	J	N, EPA			
503 20 02-25	AE		503 43 31-15	K	EPA	503 91 39-01	L	N, EPA			
503 20 02-30	D		503 43 37-01	E		503 91 40-01	L	N, EPA			
503 20 02-35	D		503 43 40-01	B		503 91 54-01	L	N, EPA			
503 20 02-45	E		503 43 44-02	I		503 99 04-01	L	N, EPA			
503 20 02-65	E		503 43 48-01	C		503 99 05-01	L	N, EPA			
503 20 03-20	D		503 43 54-02	D		503 99 06-01	G	N			
503 20 23-55	B		503 43 55-01	D		503 99 92-71	K	N, EPA			
503 20 25-12	EF		503 43 58-01	A		504 21 00-50	G				
503 20 25-16	D		503 43 60-01	C		504 35 72-01	C				
503 20 25-20	F		503 43 61-01	A		504 65 42-03	F				
503 20 32-16	B		503 43 65-01	A		505 27 57-19	E				
503 20 32-19	B		503 43 67-01	A		505 27 75-16	F				
503 20 32-42	B		503 43 69-01	A		505 30 36-61	A				
503 20 34-19	F		503 43 84-01	A		505 31 67-02	G				
503 21 06-22	D		503 44 32-01	C		505 31 67-07	G				
503 21 06-32	D		503 48 25-01	G		505 31 67-15	G				
503 21 28-06	D		503 48 26-01	G		505 31 67-17	G				
503 21 28-10	F		503 48 27-01	G		505 31 67-21	G				