

# CS 2152

# CS 2152 EPA I

Spare parts

Ersatzteile

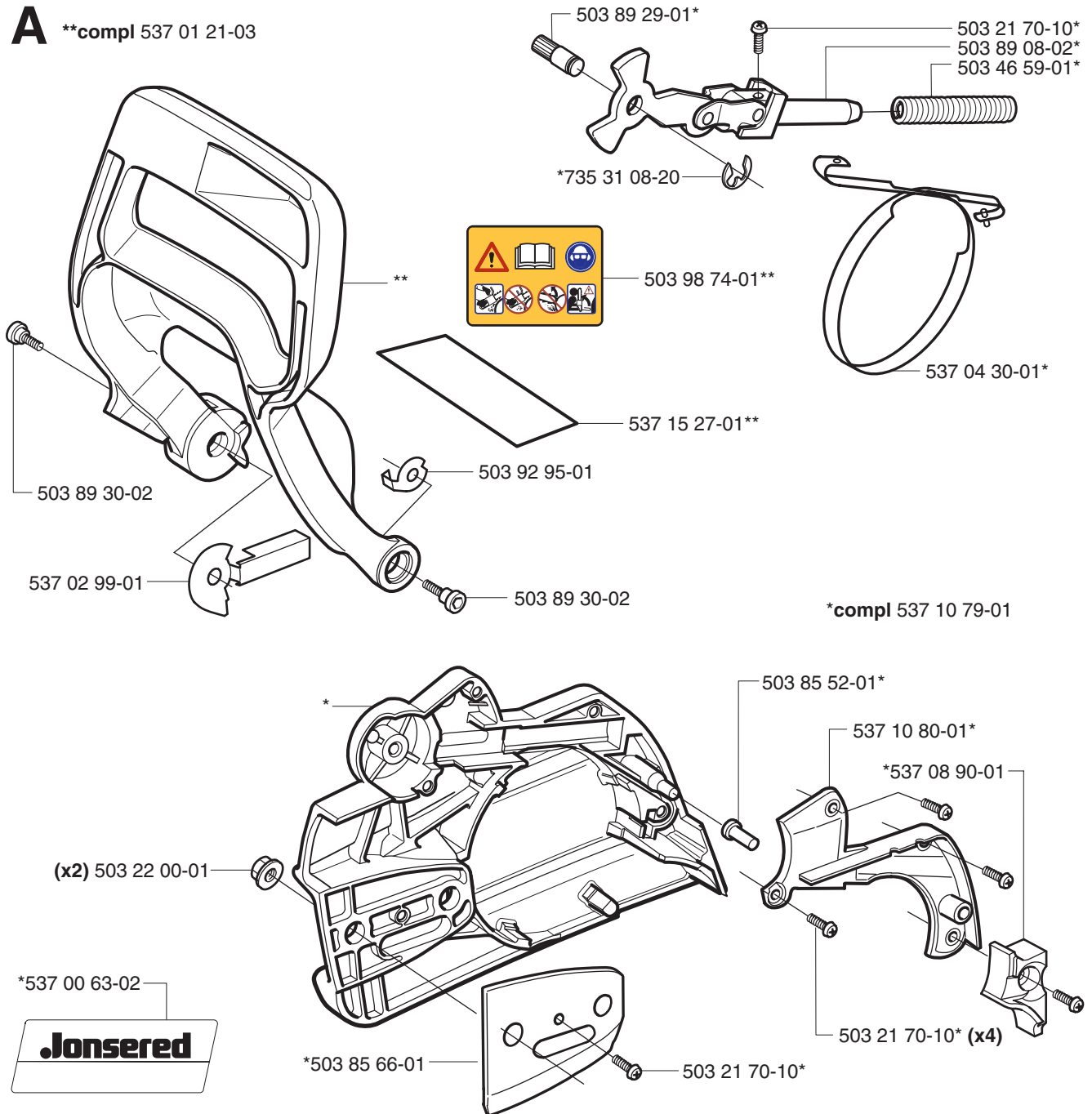
Pièces détachées

Reserve onderdelen

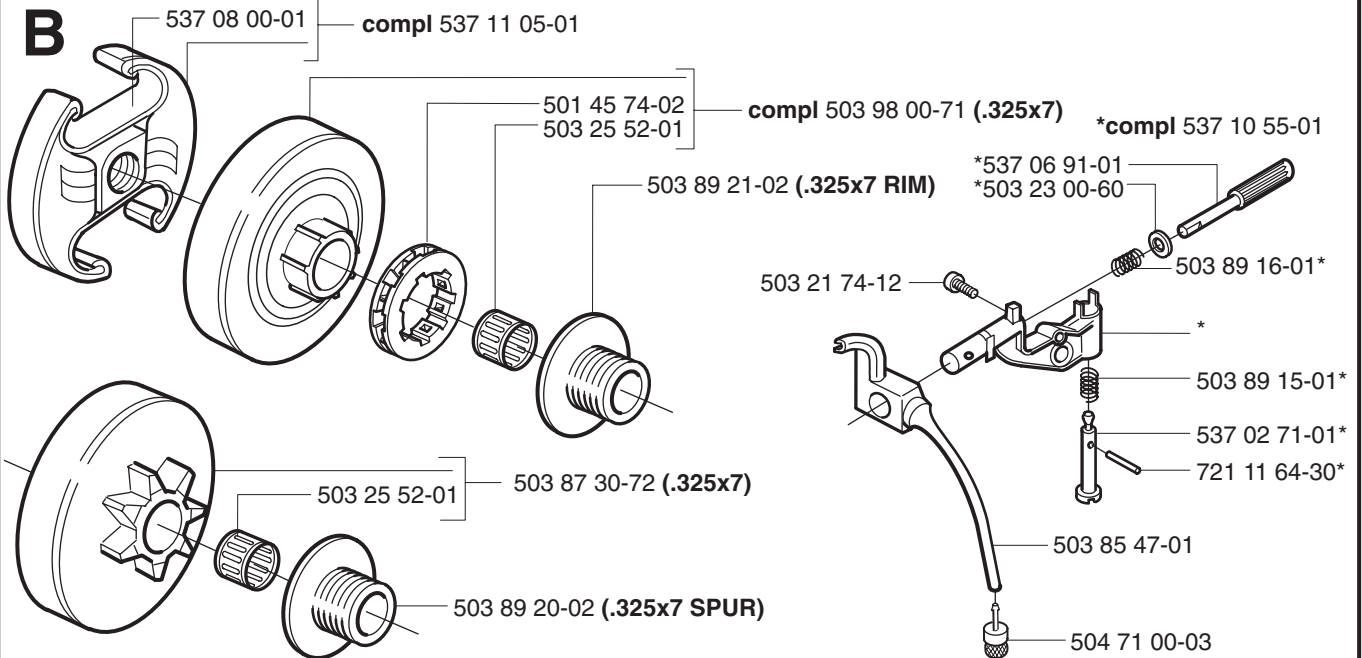
Repuestos

Reservdelar

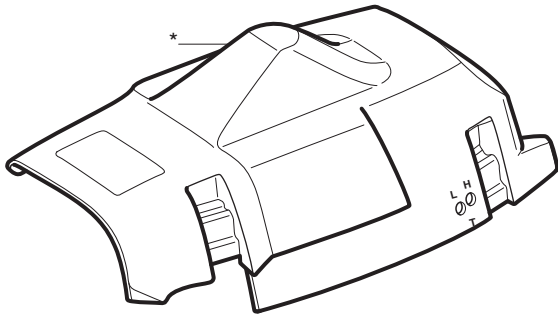
**A** \*\*compl 537 01 21-03



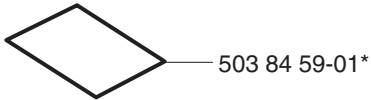
**B** 537 08 00-01 compl 537 11 05-01



**C** \*compl 537 03 32-04

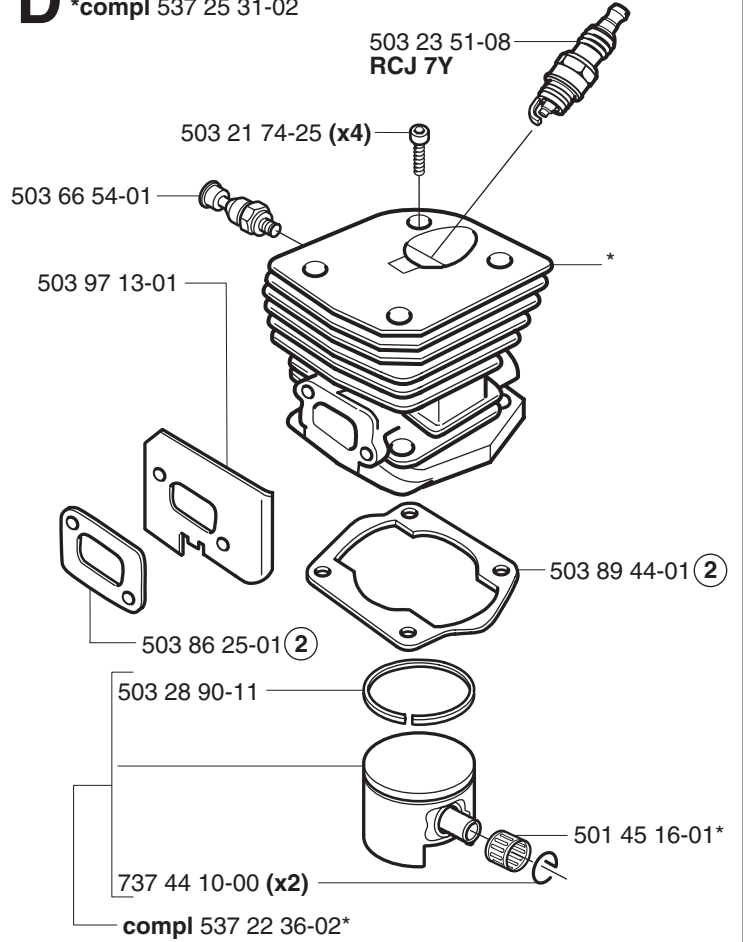


\*501 63 97-01

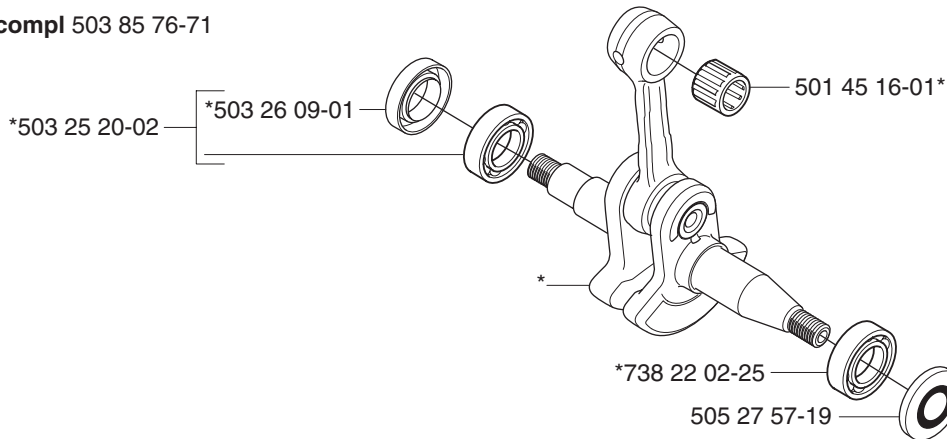


503 84 59-01\*

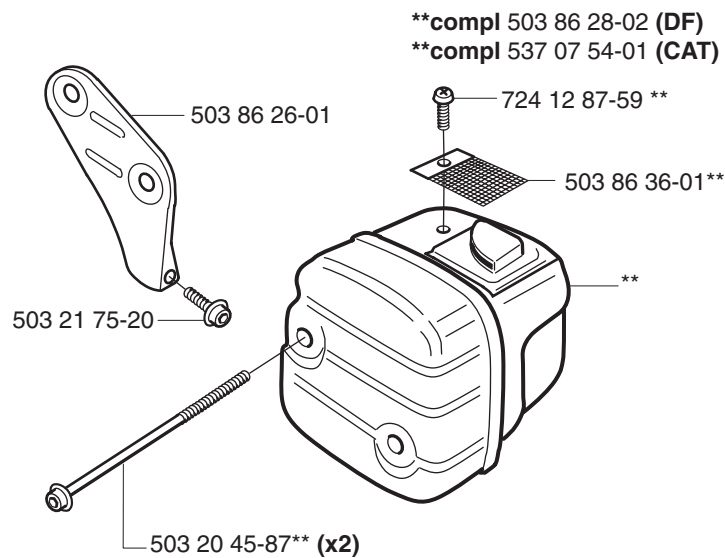
**D** \*compl 537 25 31-02



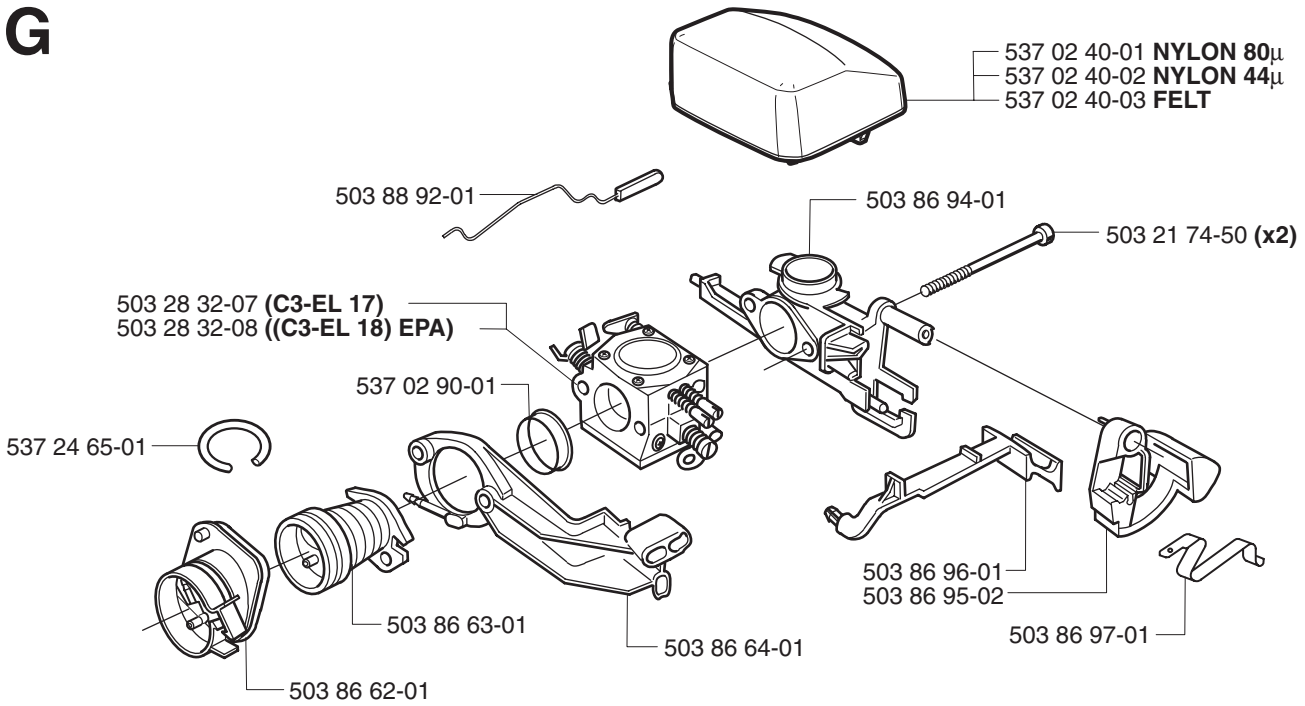
**E** \*compl 503 85 76-71



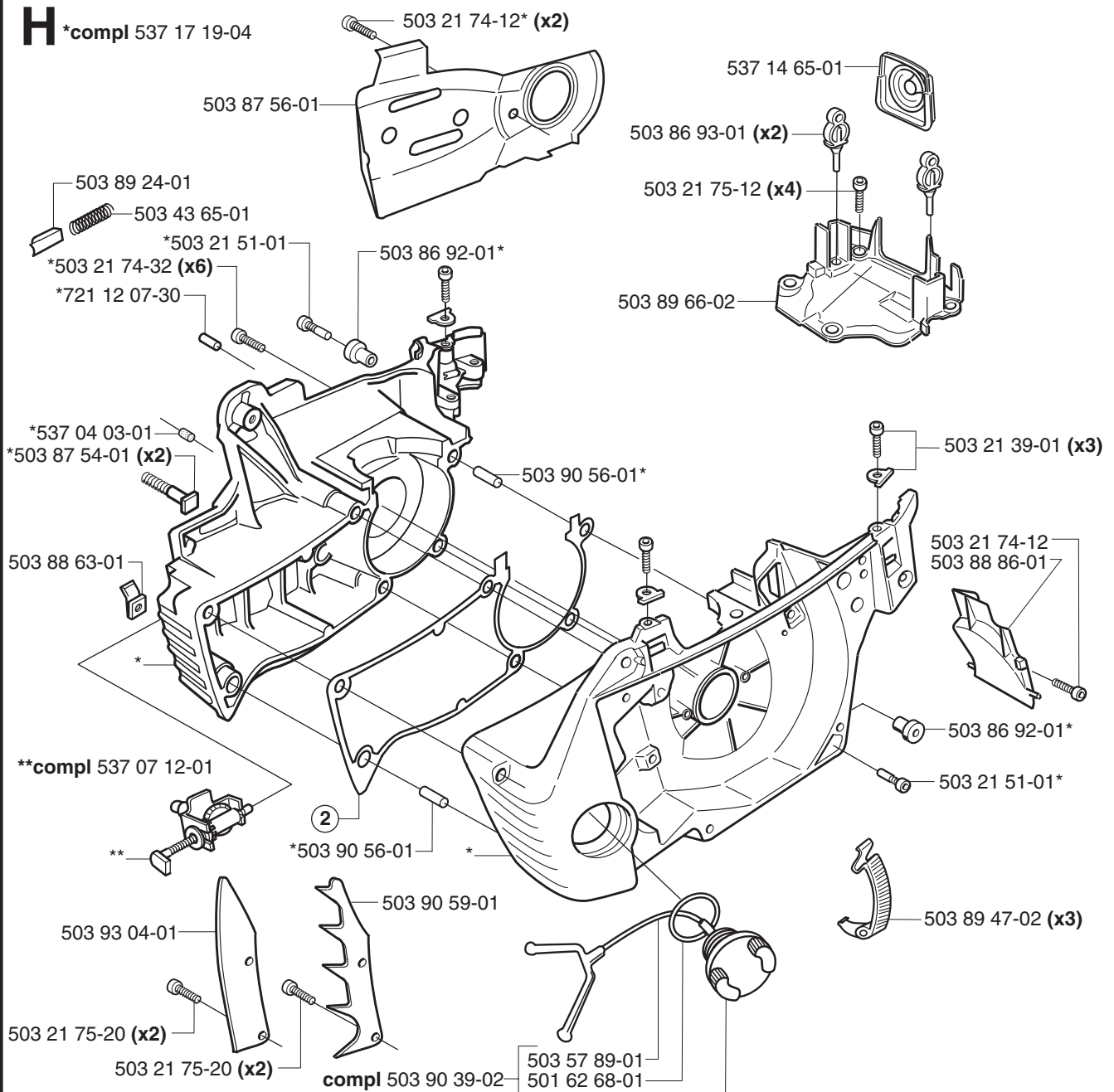
**F**



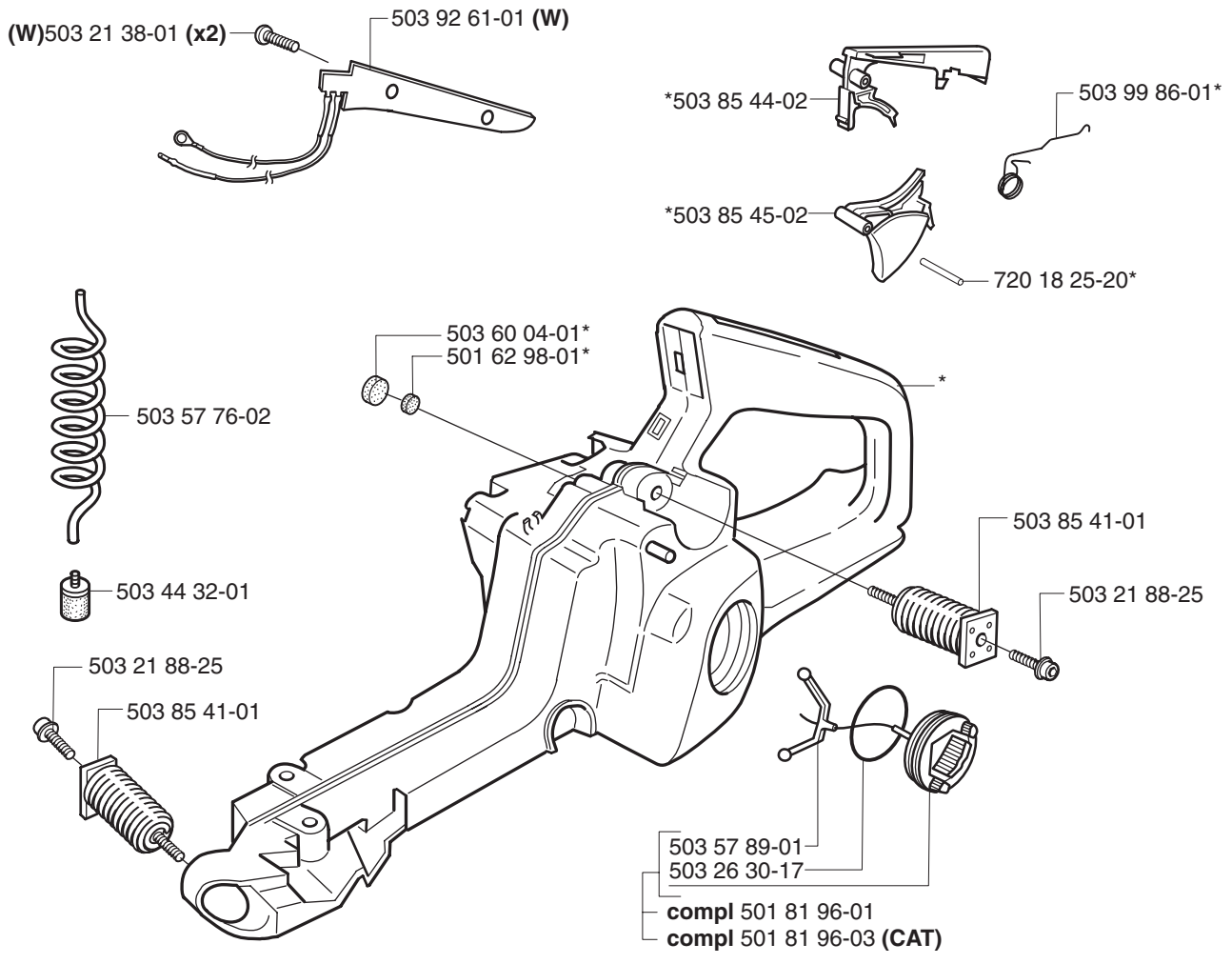
**G**



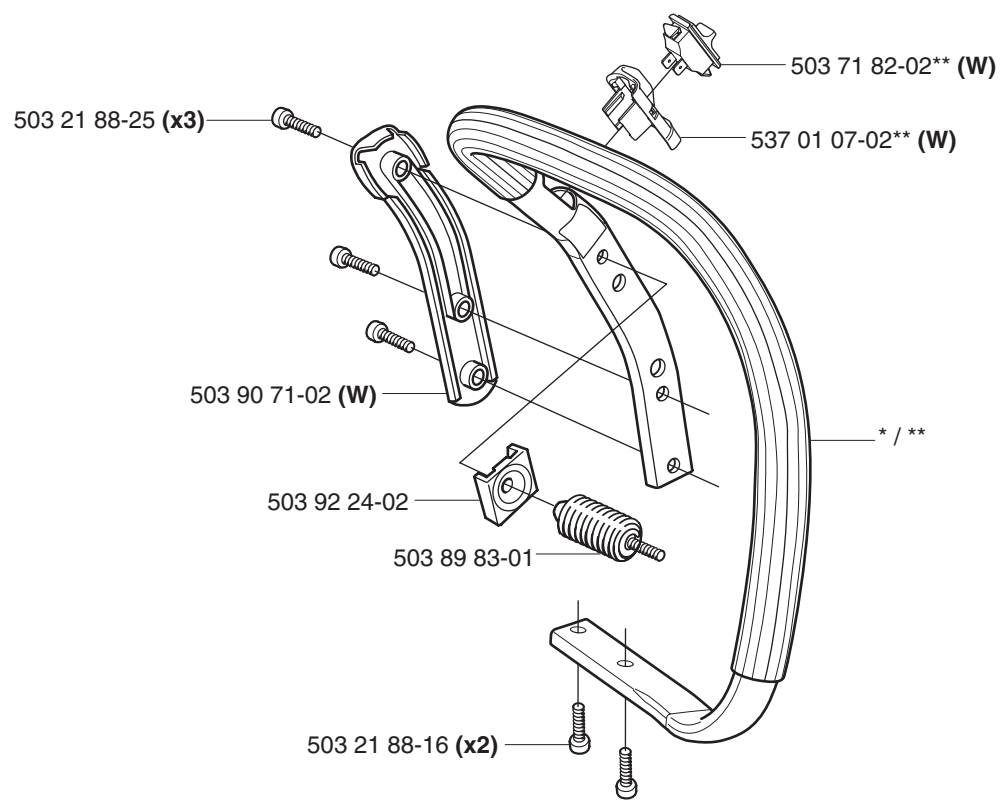
**H** \*compl 537 17 19-04



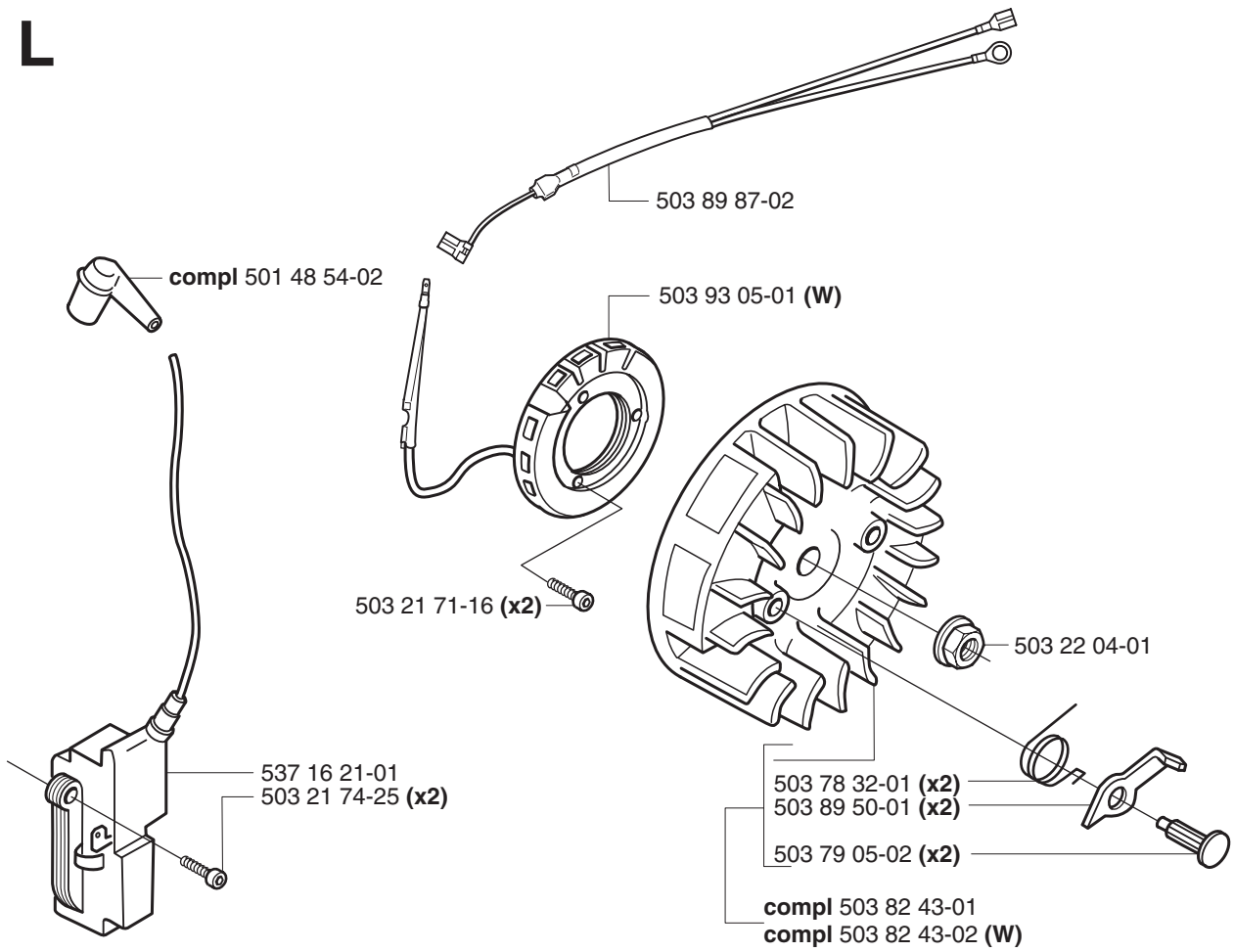
**J** \*compl 503 86 37-72



**K** \*compl 503 98 98-01 \*\*compl 503 98 98-02 (W)



**L**



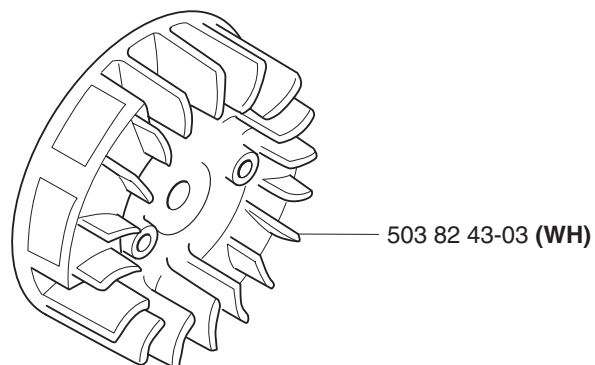
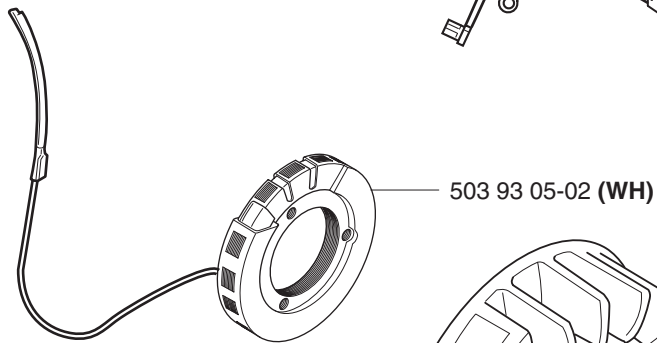
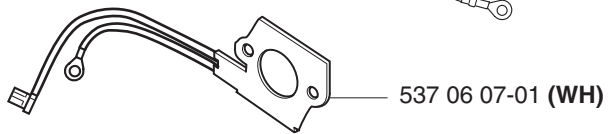
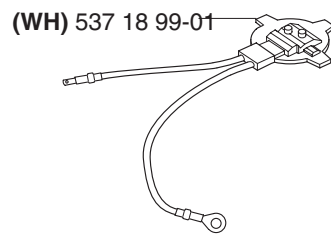
**H = Heated carburettor**

**W = Heated handles**

(WH) 537 14 73-01

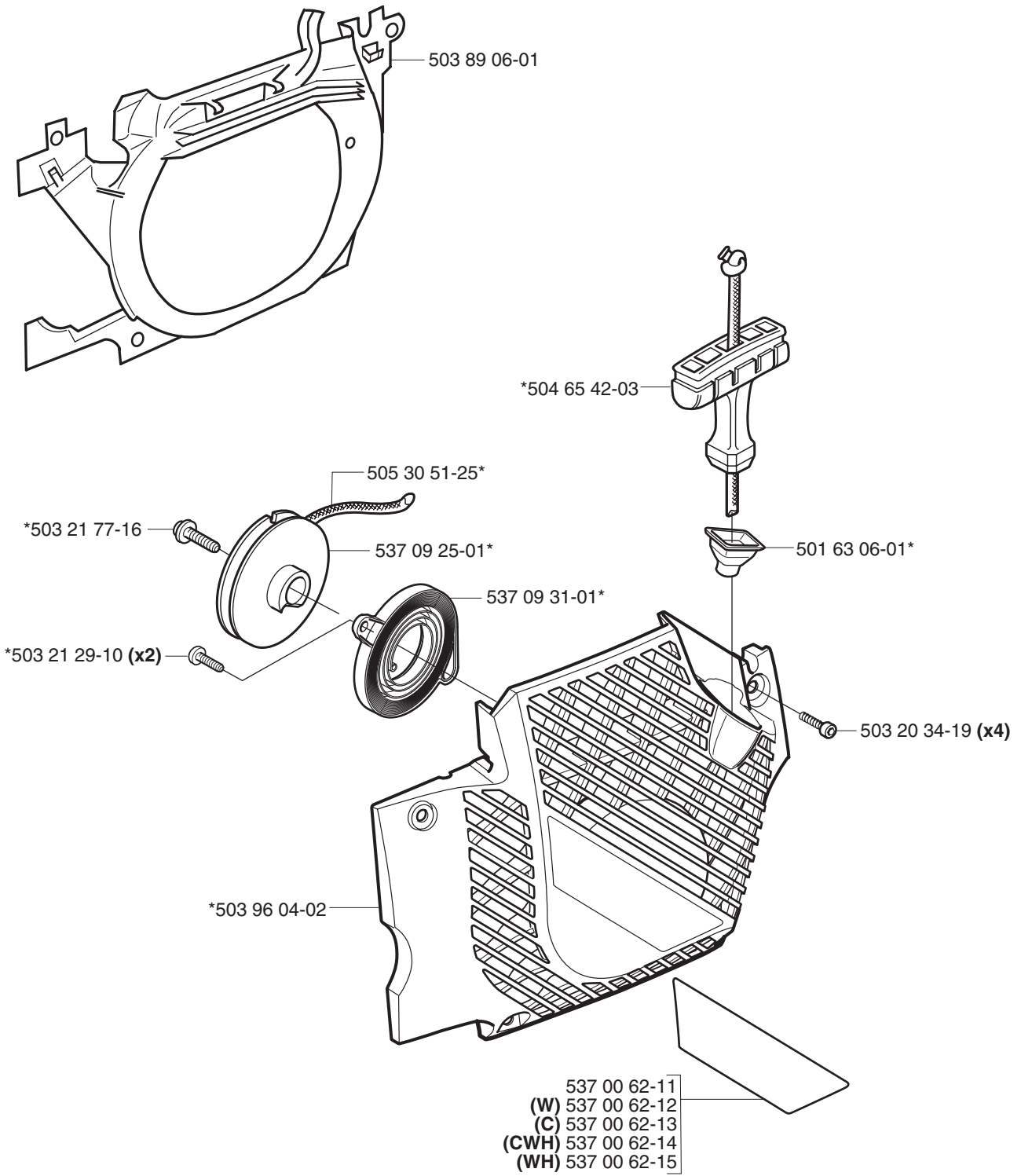
**AUTOMATIC  
CARBURETOR  
HEATING**

(WH) 537 06 04-01



**M**

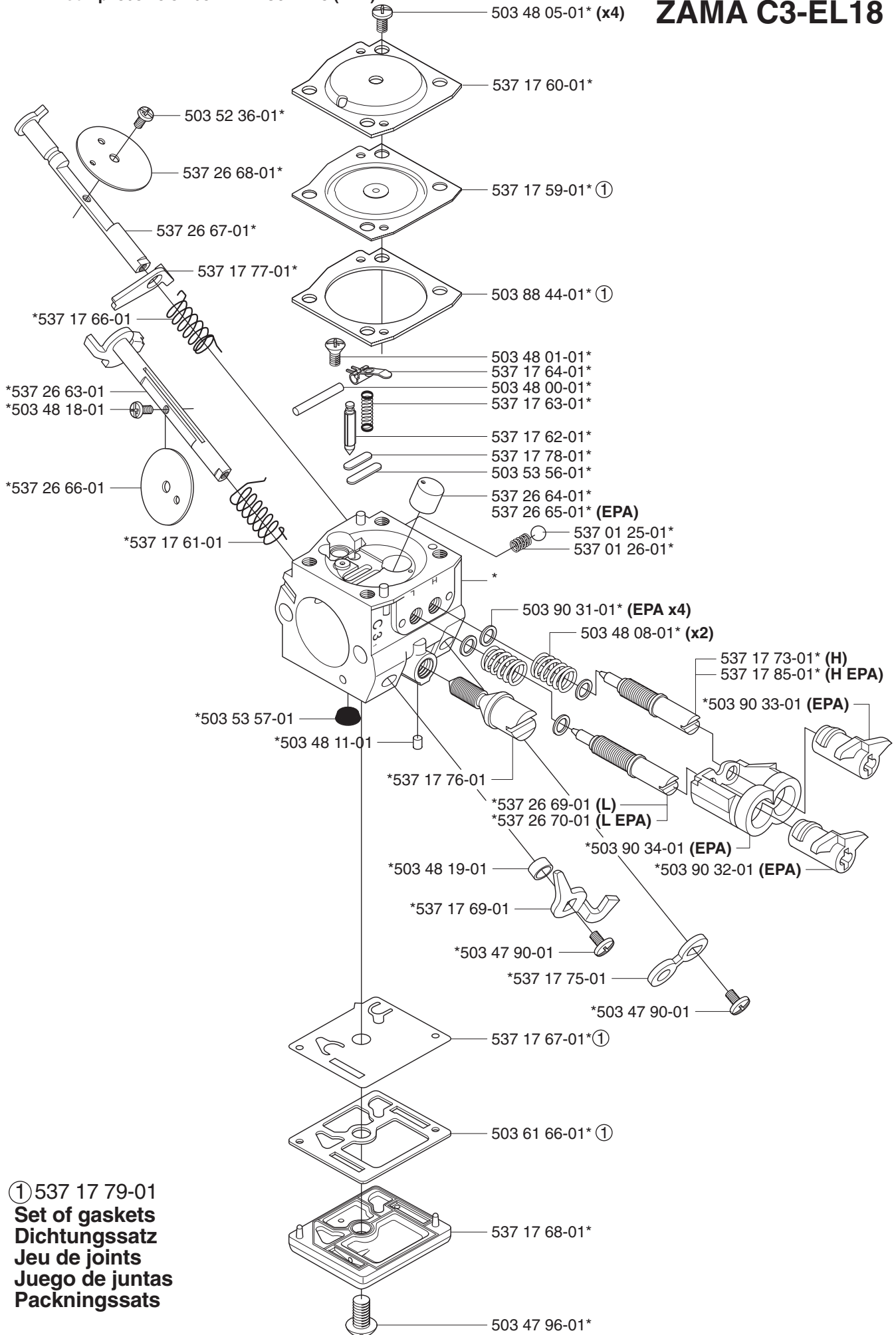
\*compl 503 99 58-02



**N**

\*compl 503 28 32-07 ZAMA C3-EL17

\*compl 503 28 32-08 ZAMA C3-EL18 (EPA)

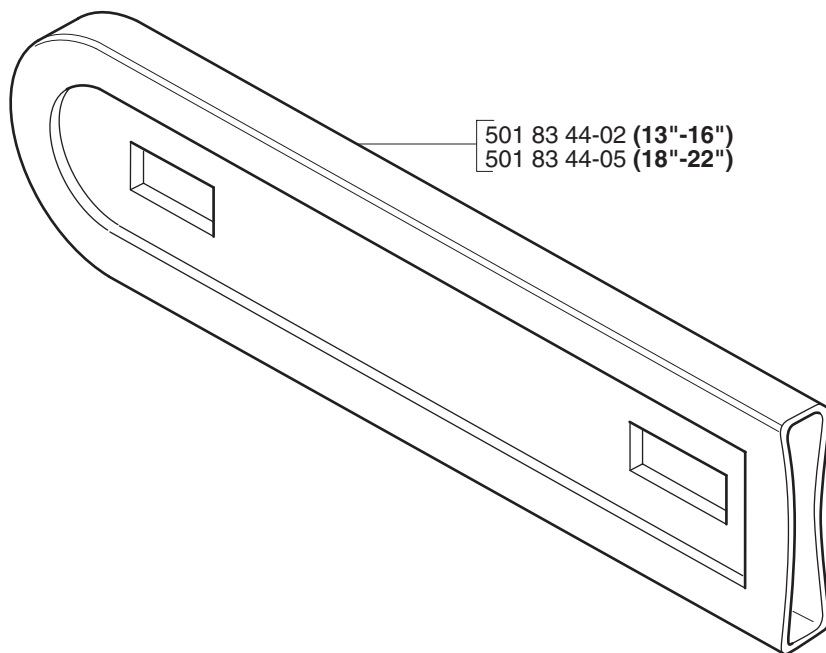
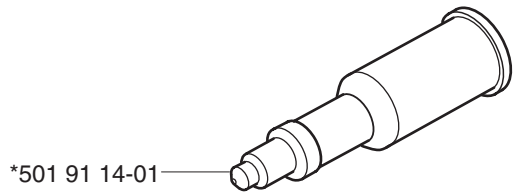
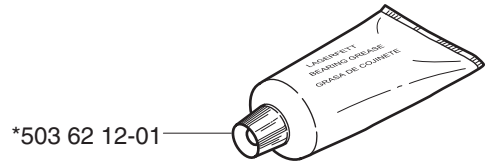
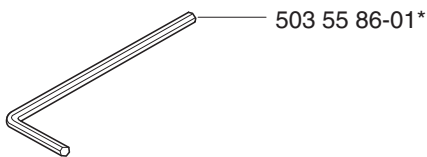
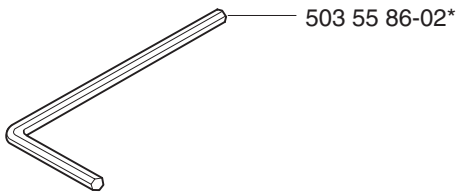
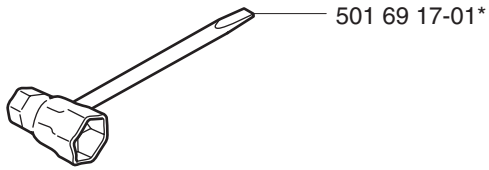
**ZAMA C3-EL17  
ZAMA C3-EL18**

① 537 17 79-01  
**Set of gaskets**  
**Dichtungssatz**  
**Jeu de joints**  
**Juego de juntas**  
**Packningssatz**



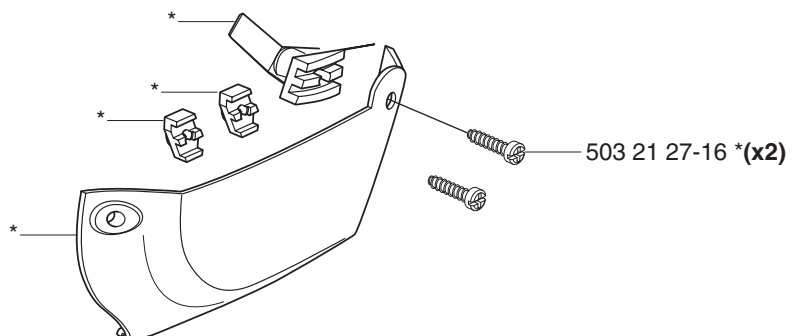
**P** Tillbehör  
 Accessories  
 Zubehöre  
 Accessoires  
 Accesorios

\*compl 503 55 85-01



**WINTER KIT**

\*compl 537 16 25-01



PART NUMBER	SQUARE NOTE	PART NUMBER	SQUARE NOTE	PART NUMBER	SQUARE NOTE	PART NUMBER	SQUARE NOTE
501 45 16-01	D	503 71 82-02	K	503 98 98-01	K	537 26 66-01	N
501 45 16-01	E	503 78 32-01	L	503 98 98-02	K	537 26 67-01	N
501 45 74-02	B	503 79 05-02	L	503 99 58-02	M	537 26 68-01	N
501 48 54-02	L	503 82 43-01	L	503 99 86-01	J	537 26 69-01	N
501 62 68-01	H	503 82 43-02	L	504 65 42-03	M	537 26 70-01	N
501 62 98-01	J	503 82 43-03	L	504 71 00-03	B	720 18 25-20	J
501 63 06-01	M	503 84 59-01	C	505 27 57-19	E	721 11 64-30	B
501 69 17-01	P	503 85 41-01	J	505 30 51-25	M	721 12 07-30	H
501 81 96-01	J	503 85 44-02	J	537 00 62-11	M	724 12 87-59	F
501 81 96-03	J	503 85 47-01	B	537 00 62-12	M	735 31 08-20	A
501 83 44-02	P	503 85 52-01	A	537 00 62-13	M	737 44 10-00	D
501 83 44-05	P	503 85 66-01	A	537 00 62-14	M	738 22 02-25	E
501 91 14-01	P	503 85 76-71	E	537 00 62-15	M		
503 20 34-19	M	503 86 25-01	D	537 00 63-02	A		
503 20 45-87	F	503 86 26-01	F	537 01 07-02	K		
503 21 27-16	P	503 86 28-02	F	537 01 21-03	A		
503 21 29-10	M	503 86 36-01	F	537 01 25-01	N		
503 21 38-01	J	503 86 37-72	J	537 01 26-01	N		
503 21 39-01	H	503 86 62-01	G	537 02 40-01	G		
503 21 51-01	H	503 86 63-01	G	537 02 40-02	G		
503 21 70-10	A	503 86 64-01	G	537 02 40-03	G		
503 21 71-16	L	503 86 92-01	H	537 02 71-01	B		
503 21 74-12	BH	503 86 93-01	H	537 02 90-01	G		
503 21 74-25	D	503 86 94-01	G	537 02 99-01	A		
503 21 74-25	L	503 86 95-02	G	537 03 32-04	C		
503 21 74-32	H	503 86 96-01	G	537 04 03-01	H		
503 21 74-50	G	503 86 97-01	G	537 04 30-01	A		
503 21 75-12	H	503 87 30-72	B	537 06 04-01	L		
503 21 75-20	FH	503 87 49-01	H	537 06 07-01	L		
503 21 77-16	M	503 87 50-01	H	537 06 91-01	B		
503 21 88-16	K	503 87 54-01	H	537 07 12-01	H		
503 21 88-25	JK	503 87 56-01	H	537 07 54-01	F		
503 22 00-01	A	503 88 44-01	N	537 08 00-01	B		
503 22 04-01	L	503 88 63-01	H	537 08 90-01	A		
503 23 00-60	B	503 88 86-01	H	537 09 25-01	M		
503 23 51-08	D	503 88 92-01	G	537 09 31-01	M		
503 23 51-11	D	503 89 06-01	M	537 10 55-01	B		
503 25 20-02	E	503 89 08-02	A	537 10 79-01	A		
503 25 52-01	B	503 89 15-01	B	537 10 80-01	A		
503 26 09-01	E	503 89 16-01	B	537 11 05-01	B		
503 26 30-17	J	503 89 20-02	B	537 14 65-01	H		
503 28 32-07	G	503 89 21-02	B	537 14 73-01	L		
503 28 32-08	G	503 89 24-01	H	537 15 27-01	A		
503 28 90-11	D	503 89 30-02	A	537 16 21-01	L		
503 40 59-01	C	503 89 44-01	D	537 16 25-01	P		
503 43 65-01	H	503 89 47-02	H	537 17 19-04	H		
503 44 32-01	J	503 89 50-01	L	537 17 59-01	N	1	
503 46 59-01	A	503 89 64-01	A	537 17 60-01	N		
503 47 90-01	N	503 89 66-02	H	537 17 61-01	N		
503 47 96-01	N	503 89 83-01	K	537 17 62-01	N		
503 48 00-01	N	503 89 87-02	L	537 17 63-01	N		
503 48 01-01	N	503 90 31-01	N	537 17 64-01	N		
503 48 05-01	N	503 90 32-01	N	537 17 66-01	N		
503 48 08-01	N	503 90 33-01	N	537 17 67-01	N	1	
503 48 11-01	N	503 90 34-01	N	537 17 68-01	N		
503 48 18-01	N	503 90 39-02	H	537 17 69-01	N		
503 48 19-01	N	503 90 56-01	H	537 17 73-01	N	EPA	
503 52 36-01	N	503 90 59-01	H	537 17 75-01	N		
503 53 56-01	N	503 90 71-02	K	537 17 76-01	N		
503 53 57-01	N	503 92 24-02	K	537 17 77-01	N		
503 55 85-01	P	503 92 61-01	J	537 17 78-01	N		
503 55 86-01	P	503 92 95-01	A	537 17 79-01	N	compl 1	
503 55 86-02	P	503 93 04-01	H	537 17 85-01	N	EPA	
503 57 76-02	J	503 93 05-01	L	537 18 99-01	L		
503 57 89-01	H	503 93 05-02	L	537 22 36-02	D		
503 57 89-01	J	503 94 28-02		537 24 65-01	G		
503 60 04-01	J	503 96 04-02	M	537 25 31-02	D		
503 61 66-01	N	503 97 13-01	D	537 26 63-01	N		
503 62 12-01	P	503 98 00-71	B	537 26 64-01	N		
503 66 54-01	D	503 98 74-01	A	537 26 65-01	N	EPA	

1 = 537 17 79-01  
2 = 503 94 28-02

Set of gaskets  
Dichtungssatz  
Jeu de joints  
Juego de juntas  
Packningssats

N = New part  
Neues teil  
Nouvelle piece  
Nueva pieza  
Ny detalj

EPA = Environmental Protection Agency