

365, 365 EPA

Spare parts

Ersatzteile

Pièces détachées

Reserve onderdelen

Repuestos

Reservdelar

Replaces

Ersetzt

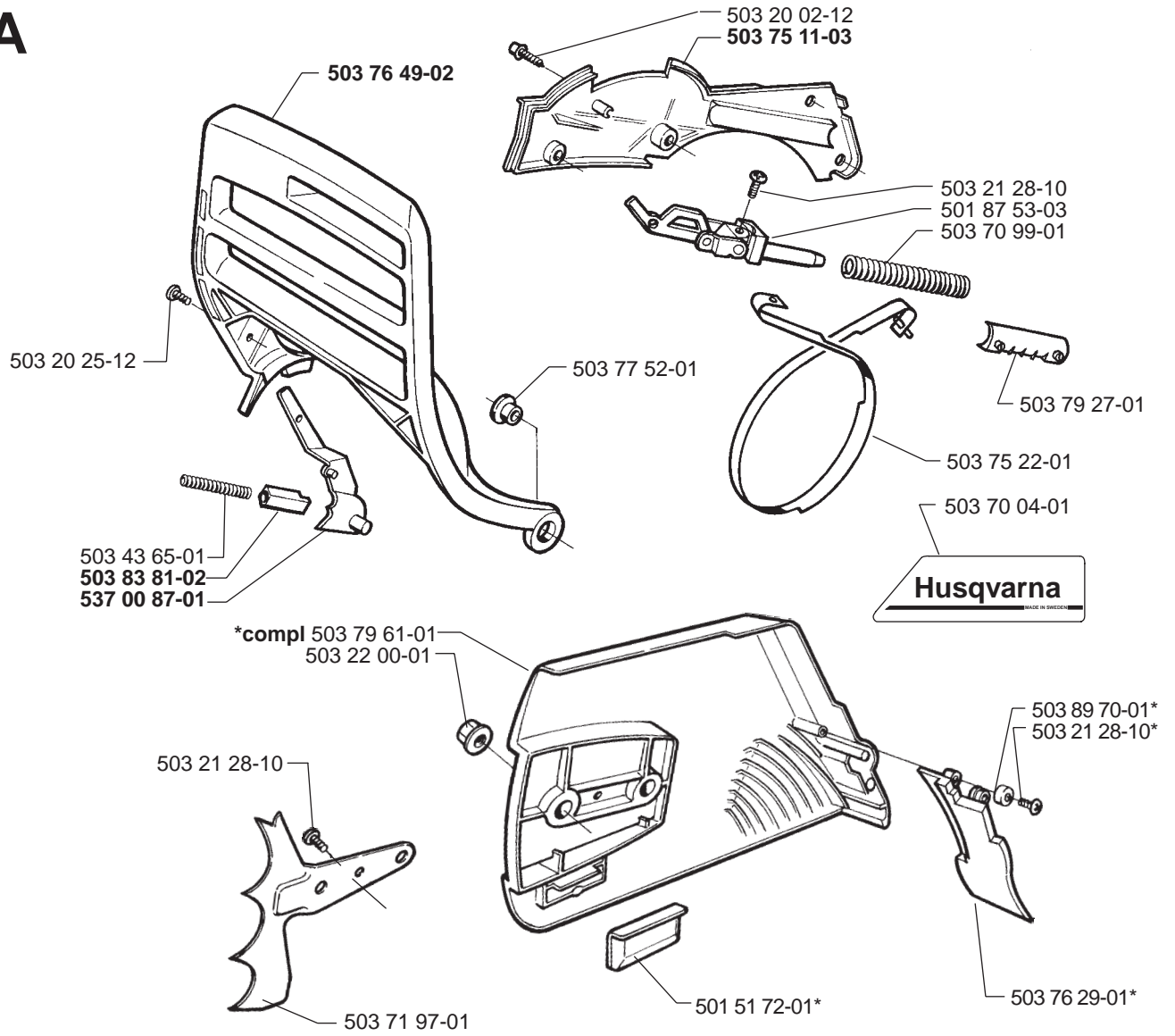
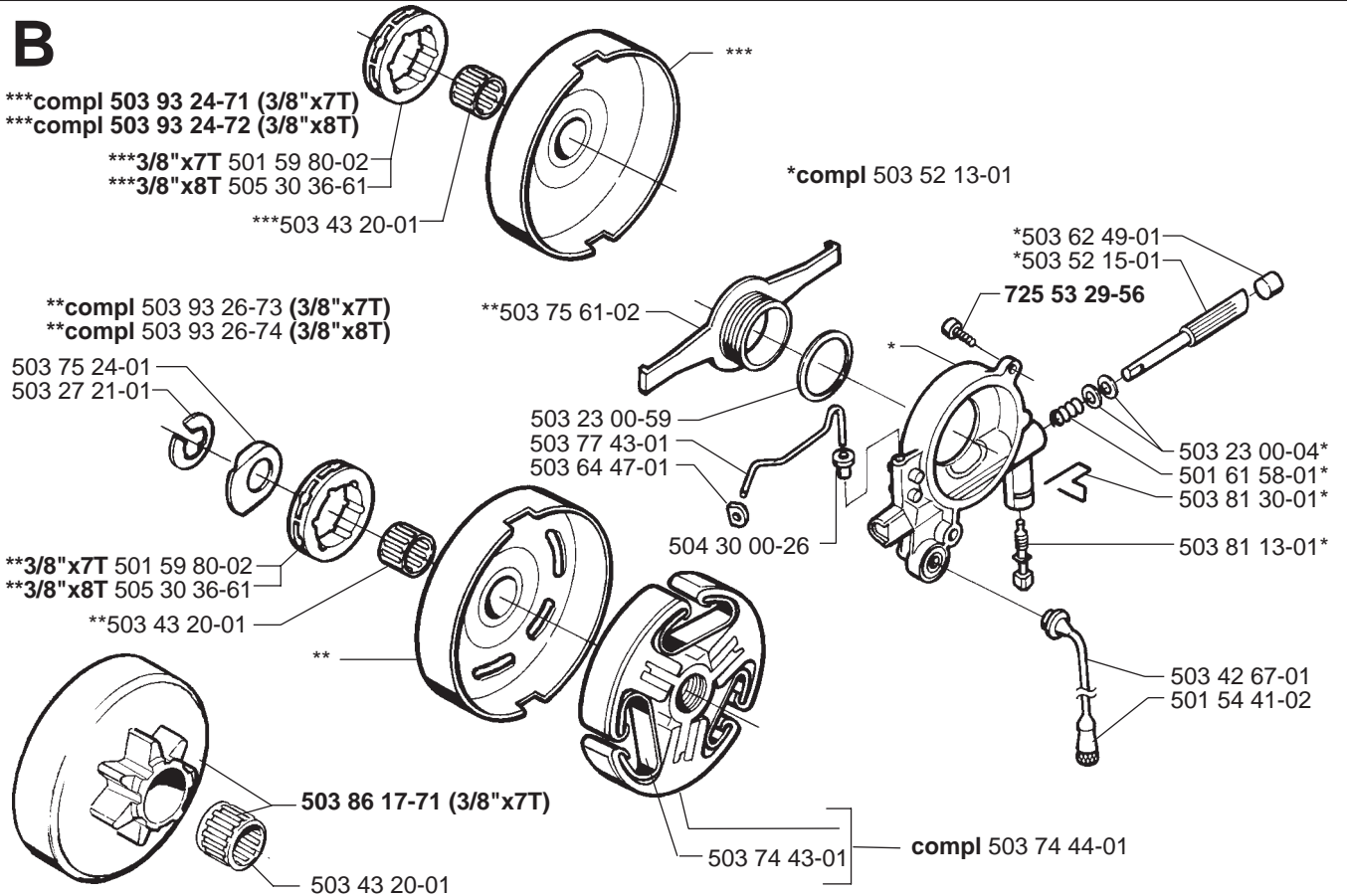
Remplace

Vervangt

Reemplaza

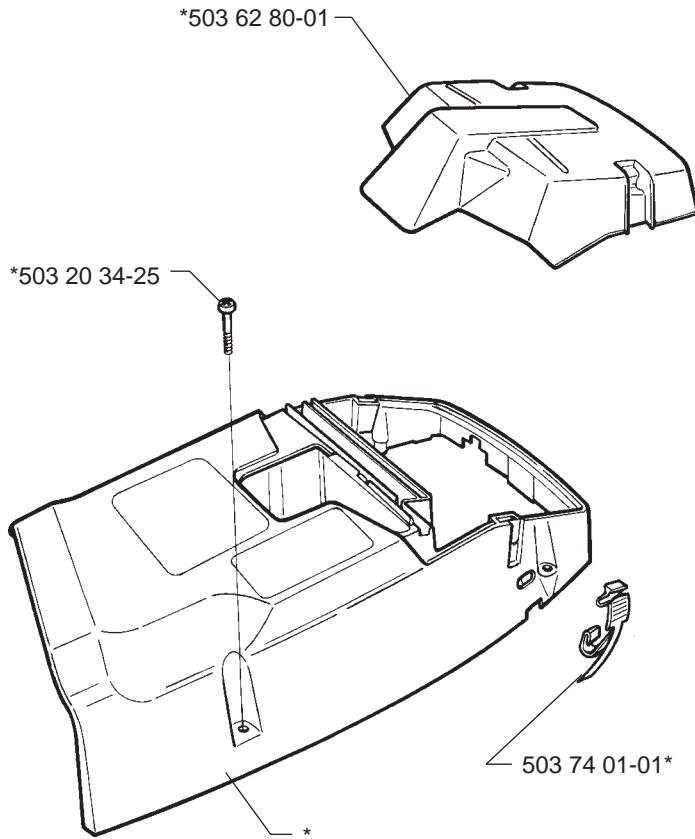
Ersätter

106 24 36-62

A**B**

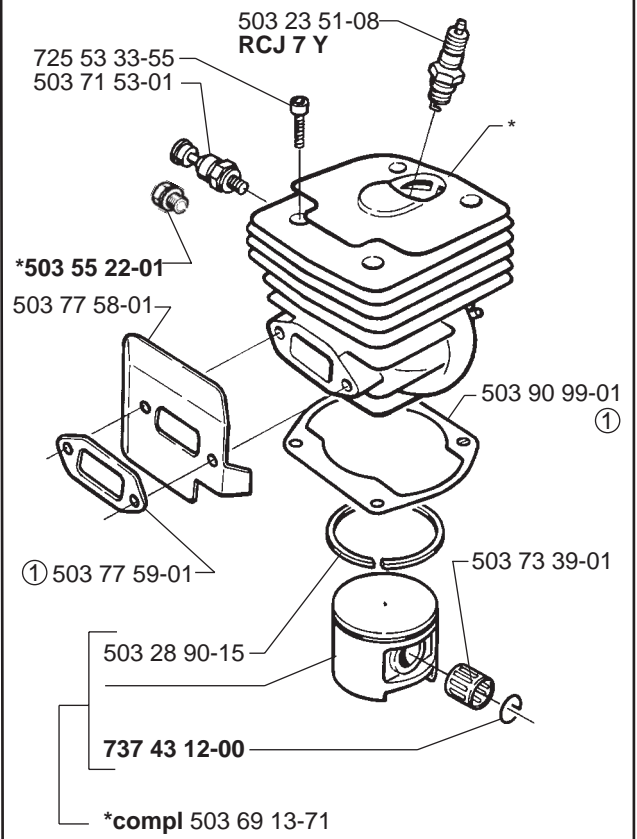
C

*compl 503 62 78-02

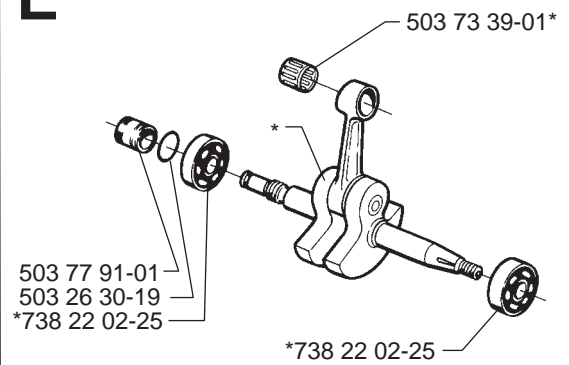
**D**

*compl 503 69 10-72

*compl 503 93 90-71 EPA

**E**

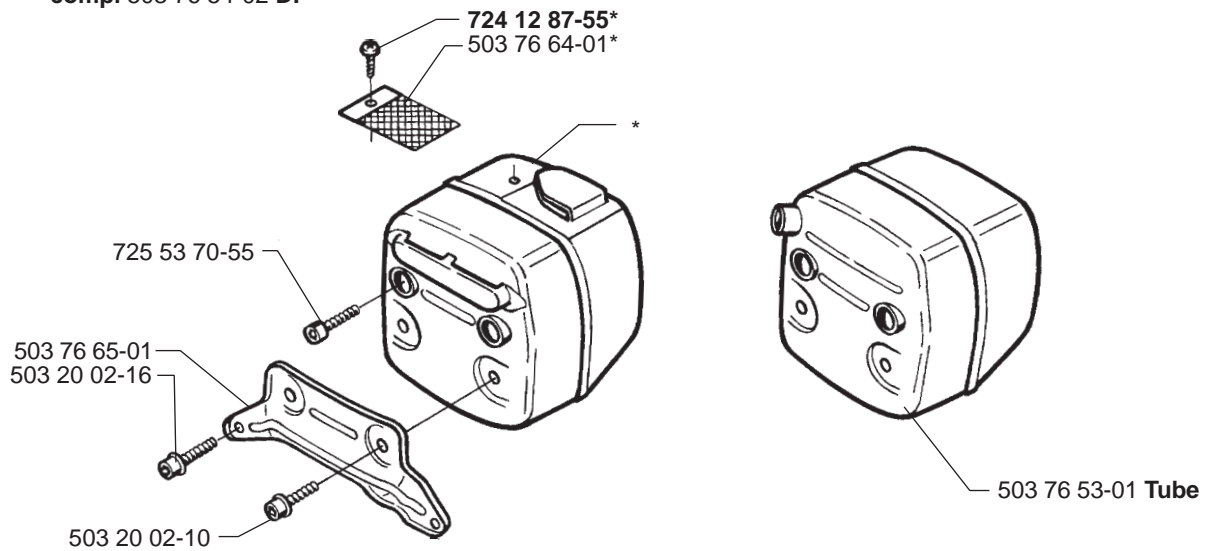
*compl 503 72 91-76

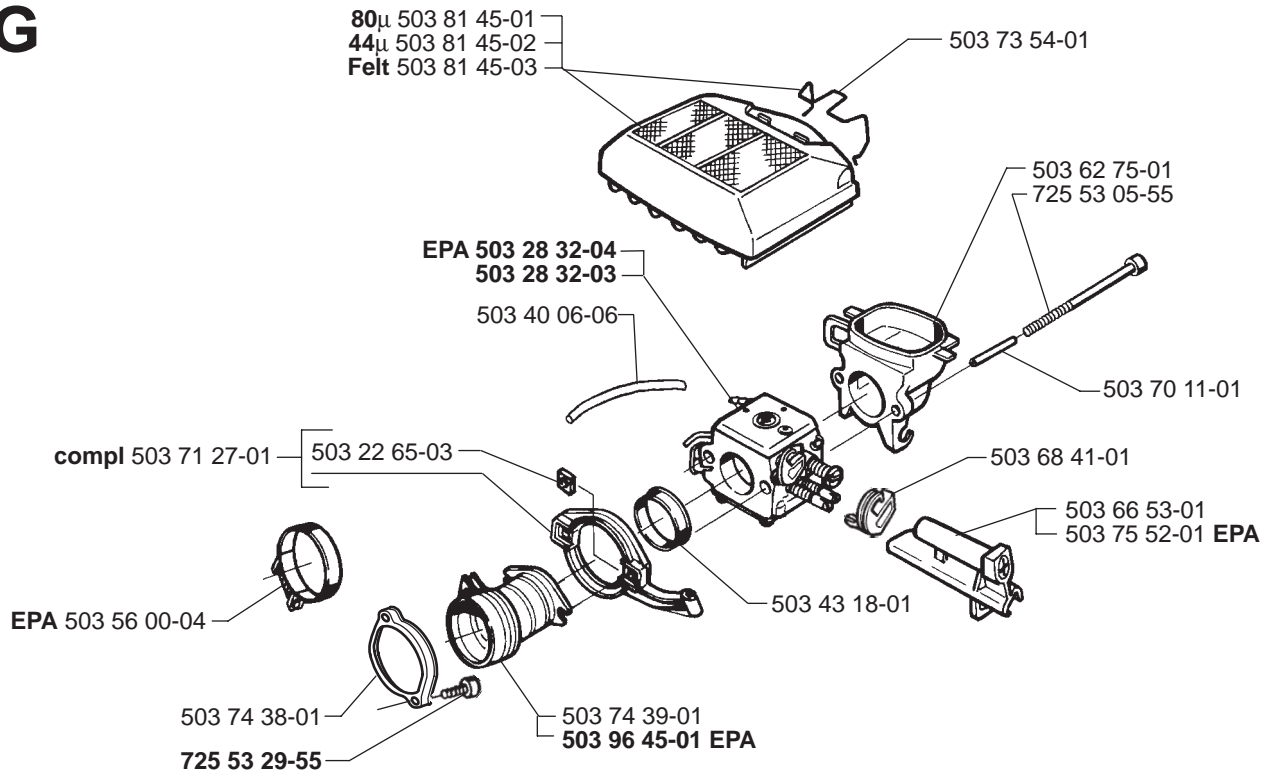
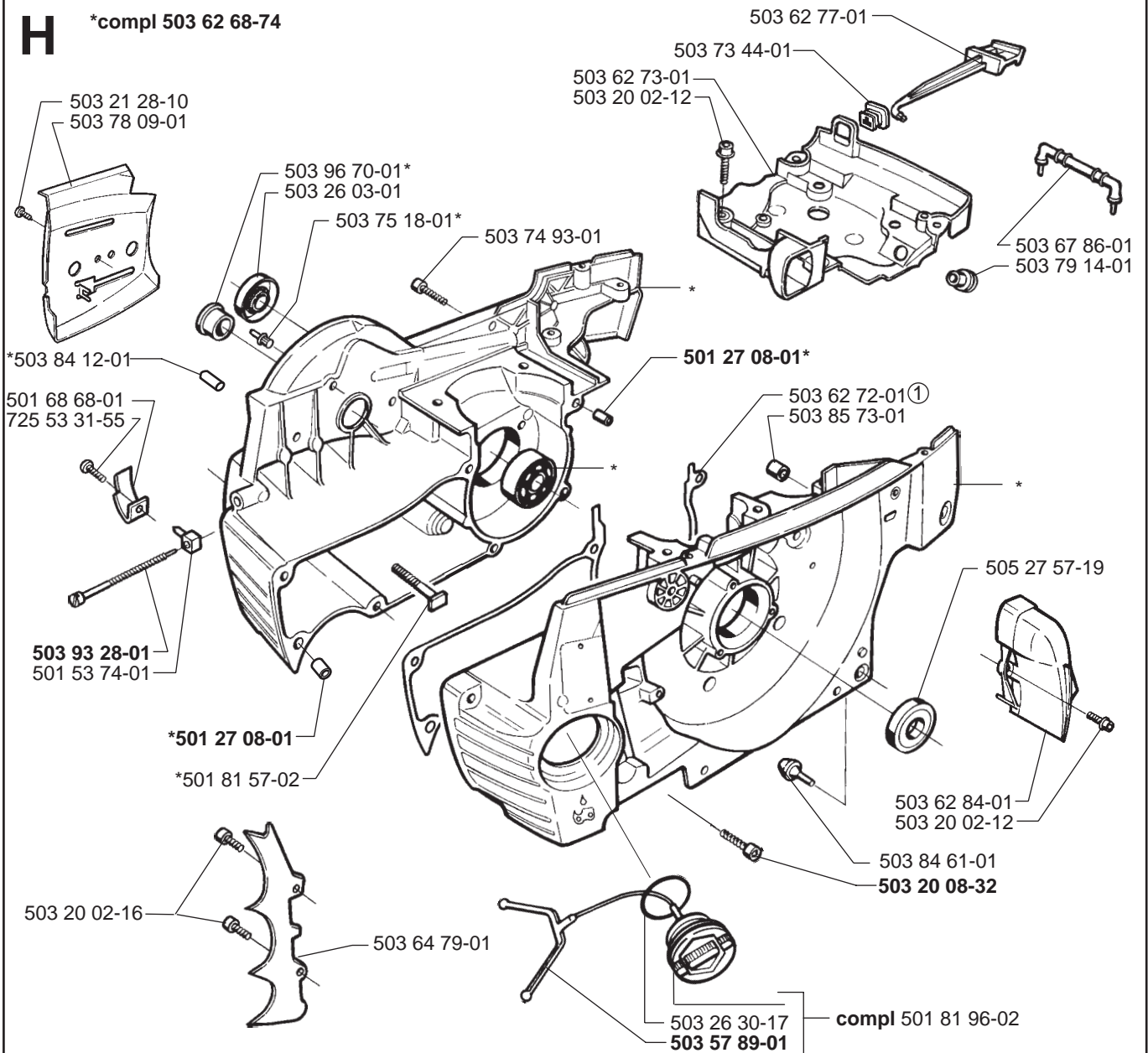
**F**

compl 503 76 52-01 FG

*compl 503 76 53-02 Jungle

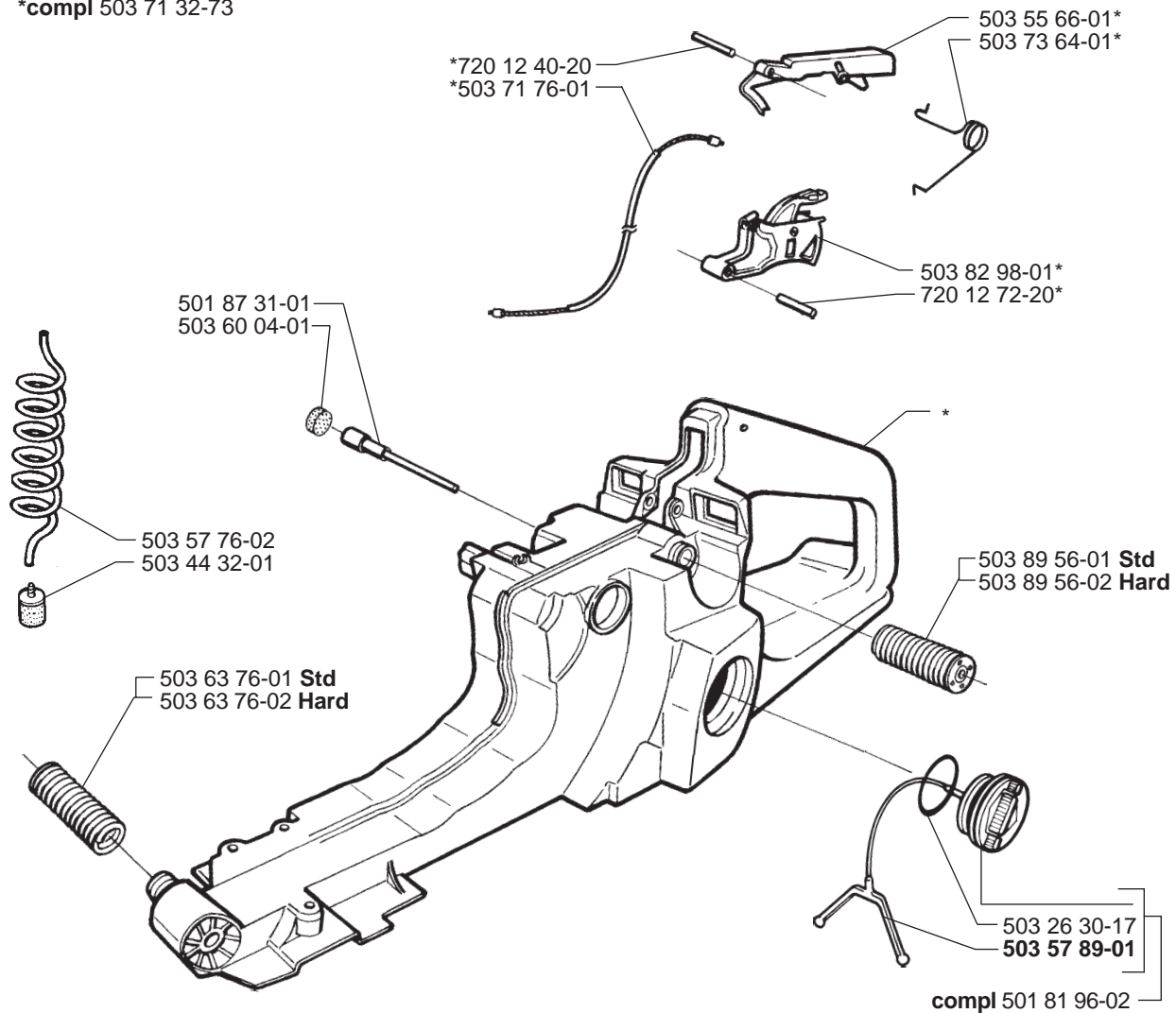
*compl 503 76 54-02 DF



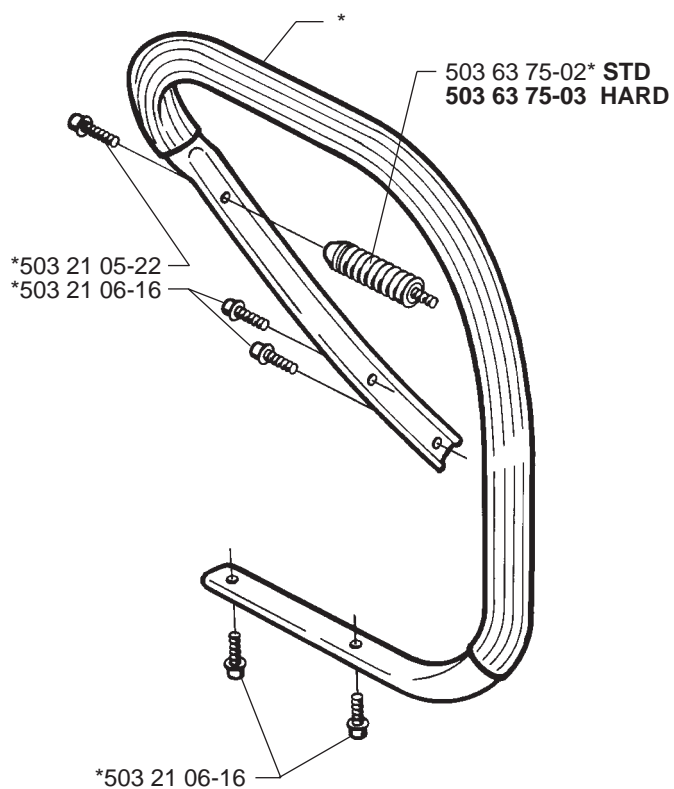
G**H*****compl 503 62 68-74**

J

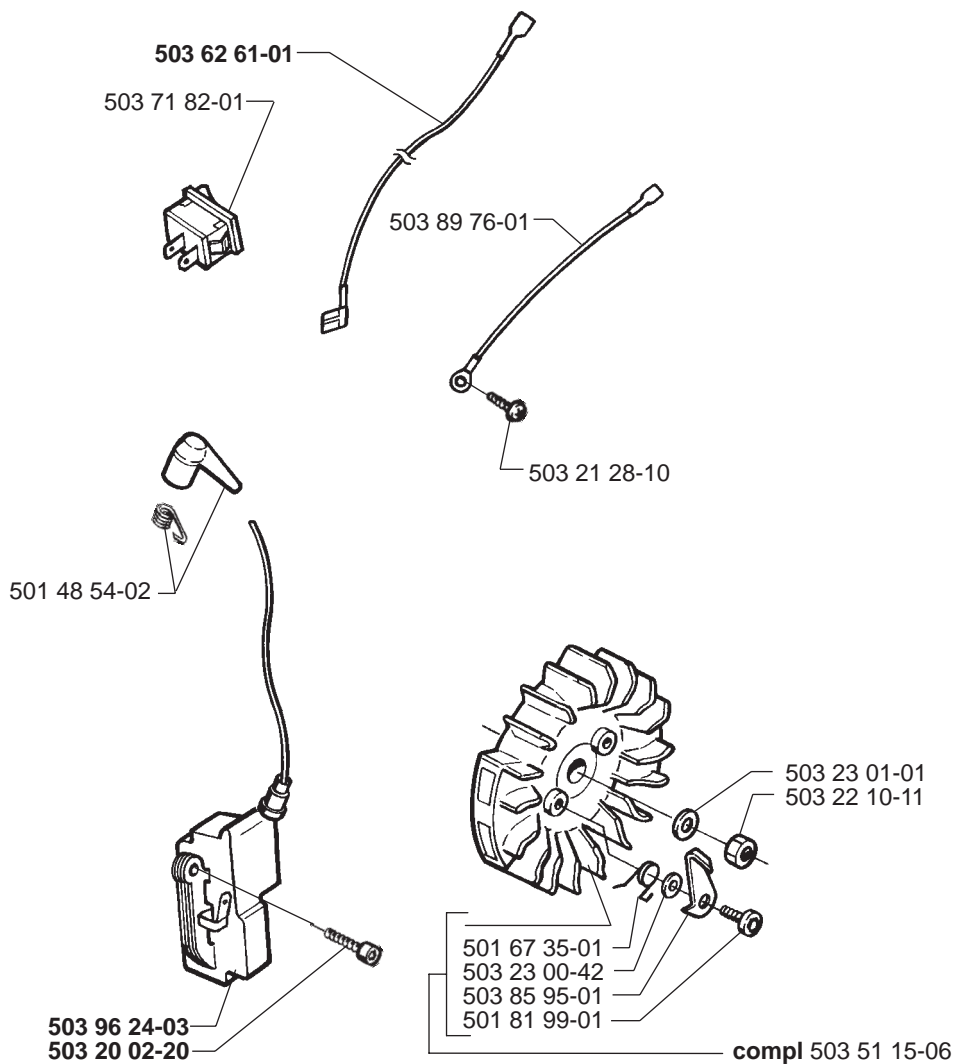
*compl 503 71 32-73

**K**

*compl 503 62 67-71

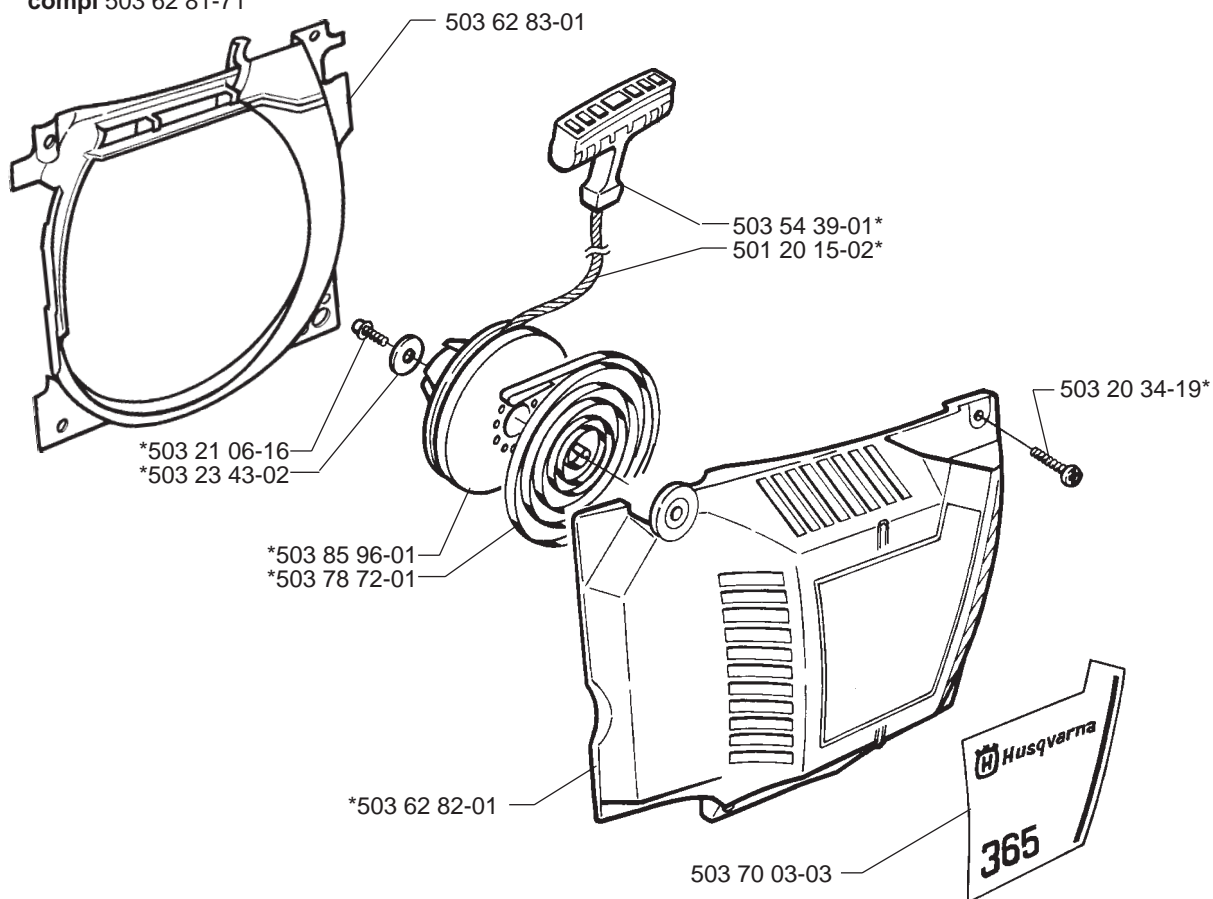


M



N

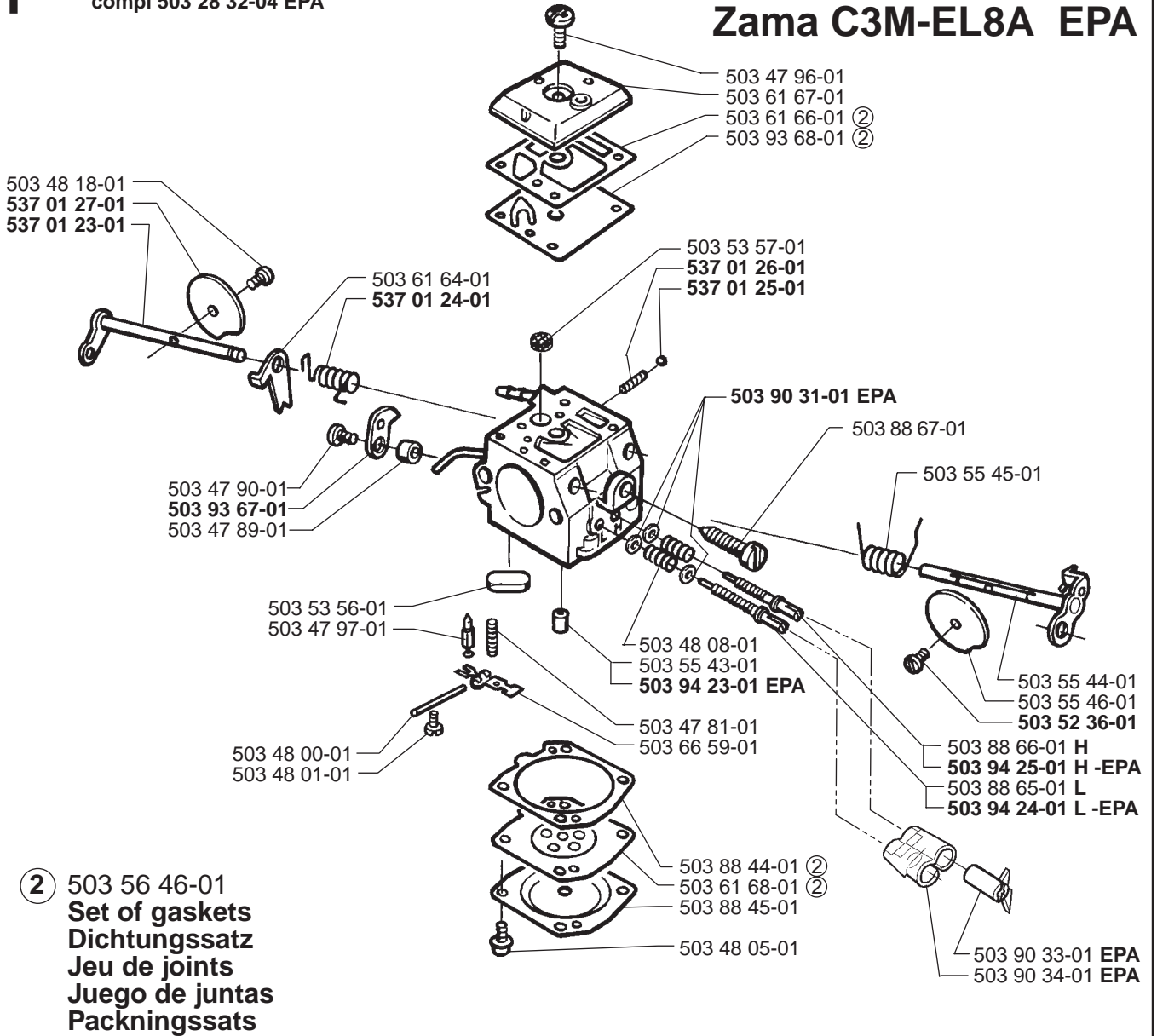
*compl 503 62 81-71



P

compl 503 28 32-03
compl 503 28 32-04 EPA

Zama C3M-EL2B Zama C3M-EL8A EPA



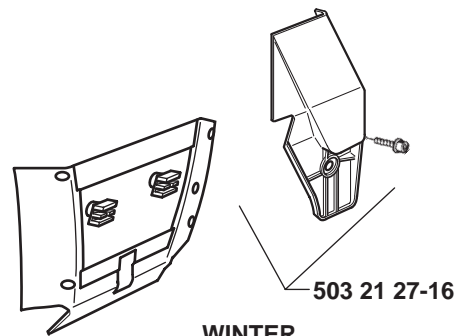
Q

Accessories Zubehöre Accessories Accessorios Tillbehör



537 03 60-03

503 98 74-01



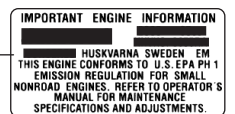
WINTER
compl 503 96 90-01

*compl 503 55 85-01

*503 55 86-01 NV4

* 503 55 86-02 NV5

EPA 537 03 61-13



*501 91 14-01

*503 62 12-01

*501 69 17-01

537 03 44-01



MODEL 365, 365 EPA

PART NUMBER	SQUARE	NOTE	PART NUMBER	SQUARE	NOTE	PART NUMBER	SQUARE	NOTE	PART NUMBER	SQUARE	NOTE
501 20 15-02	N		503 55 44-01	P		503 75 52-01	G	EPA	537 03 44-01	Q	N
501 27 08-01	H	N	503 55 45-01	P		503 75 61-02	B		537 03 60-03	Q	N
501 48 54-02	M		503 55 46-01	P		503 76 29-01	A		537 03 61-13	Q	N EPA
501 51 72-01	A		503 55 66-01	J		503 76 49-02	A	N	720 12 40-20	J	
501 53 74-01	H		503 55 85-01	Q	N	503 76 52-01	F		720 12 72-20	J	
501 54 41-02	B		503 55 86-01	Q		503 76 53-01	F		724 12 87-55	F	N
501 59 80-02	B		503 55 86-02	Q		503 76 53-02	F		725 53 05-55	G	
501 61 58-01	B		503 56 00-04	G	EPA	503 76 54-02	F		725 53 29-55	G	
501 67 35-01	M		503 56 46-01	P	2 COMPL	503 76 64-01	F		725 53 29-56	B	N
501 68 68-01	H		503 57 76-02	J		503 76 65-01	F		725 53 31-55	H	
501 69 17-01	Q		503 57 89-01	HJ	N	503 77 43-01	B		725 53 33-55	D	
501 81 57-02	H		503 60 04-01	J		503 77 52-01	A		725 53 70-55	F	
501 81 96-02	HJ		503 61 64-01	P		503 77 58-01	D		737 43 12-00	D	
501 81 99-01	M		503 61 66-01	P	2	503 77 59-01	D	1	738 22 02-25	E	
501 87 31-01	J		503 61 67-01	P		503 77 91-01	E				
501 87 53-03	A		503 61 68-01	P	2	503 78 09-01	H				
501 91 14-01	Q		503 62 12-01	Q		503 78 72-01	N				
503 20 02-10	F		503 62 49-01	B		503 79 14-01	H				
503 20 02-12	AH		503 62 61-01	M	N	503 79 27-01	A				
503 20 02-16	FH		503 62 67-71	K		503 79 61-01	A				
503 20 02-20	M	N	503 62 68-74	H	N	503 81 13-01	B				
503 20 08-32	H	N	503 62 72-01	H	1	503 81 30-01	B				
503 20 25-12	A		503 62 73-01	H		503 81 45-01	G				
503 20 34-19	N		503 62 75-01	G		503 81 45-02	G				
503 20 34-25	C		503 62 77-01	H		503 81 45-03	G				
503 21 05-22	K		503 62 78-02	C		503 82 98-01	J				
503 21 06-16	KN		503 62 80-01	C		503 83 81-02	A	N			
503 21 27-16	Q	N	503 62 81-71	N		503 84 12-01	H				
503 21 28-10	AHM		503 62 82-01	N		503 84 61-01	H				
503 22 00-01	A		503 62 83-01	N		503 85 73-01	H				
503 22 10-11	M		503 62 84-01	H		503 85 95-01	M				
503 22 65-03	G		503 63 75-02	K		503 85 96-01	N				
503 23 00-04	B		503 63 75-03	K	N	503 86 17-71	B	N			
503 23 00-42	M		503 63 76-01	J		503 88 44-01	P	2			
503 23 00-59	B		503 63 76-02	J		503 88 45-01	P				
503 23 01-01	M		503 64 47-01	B		503 88 65-01	P				
503 23 43-02	N		503 64 72-01	DH	1 COMPL	503 88 66-01	P				
503 23 51-08	D		503 64 79-01	H		503 88 67-01	P				
503 26 03-01	H		503 66 53-01	G		503 89 56-01	J				
503 26 30-17	HJ		503 66 59-01	P		503 89 56-02	J				
503 26 30-19	E		503 67 86-01	H		503 89 70-01	A				
503 27 21-01	B		503 68 41-01	G		503 89 76-01	M				
503 28 32-03	GP	N	503 69 10-72	D		503 90 31-01	P	N	EPA		
503 28 32-04	GP	N	503 69 13-71	D		503 90 33-01	P		EPA		
503 28 90-15	D		503 96 45-01	G	N	503 90 34-01	P		EPA		
503 40 06-06	G		503 70 03-03	N		503 90 99-01	D	1			
503 42 67-01	B		503 70 04-01	A		503 93 24-71	B	N			
503 43 18-01	G		503 70 11-01	G		503 93 24-72	B	N			
503 43 20-01	B		503 70 99-01	A		503 93 26-73	B				
503 43 65-01	A		503 71 27-01	G		503 93 26-74	B				
503 44 32-01	J		503 71 32-73	J		503 93 28-01	H	N			
503 47 81-01	P		503 71 53-01	D		503 93 67-01	P	N			
503 47 89-01	P		503 71 76-01	J		503 93 68-01	P				
503 47 90-01	P		503 71 82-01	M		503 93 90-71	D		EPA		
503 47 96-01	P		503 71 97-01	A		503 94 23-01	P	N	EPA		
503 47 97-01	P		503 72 91-76	E	N	503 94 24-01	P	N	EPA		
503 48 00-01	P		503 73 39-01	DE		503 94 25-01	P	N	EPA		
503 48 01-01	P		503 73 44-01	H		503 96 24-03	M	N			
503 48 05-01	P		503 73 54-01	G		503 96 70-01	H				
503 48 08-01	P		503 73 64-01	J		503 96 90-01	Q				
503 48 18-01	P		503 74 01-01	C		503 98 74-01	Q	N			
503 51 15-06	M		503 74 38-01	G		504 30 00-26	B				
503 52 13-01	B		503 74 39-01	G		505 27 57-19	H				
503 52 15-01	B		503 74 43-01	B		505 30 36-61	B				
503 52 36-01	P	N	503 74 44-01	B		537 00 87-01	A	N			
503 53 56-01	P		503 74 93-01	H		537 01 23-01	P	N			
503 53 57-01	P		503 75 11-03	A	N	537 01 24-01	P	N			
503 54 39-01	N		503 75 18-01	H		537 01 25-01	P	N			
503 55 22-01	D	N	503 75 22-01	A		537 01 26-01	P	N			
503 55 43-01	P		503 75 24-01	B		537 01 27-01	P	N			

1 = 503 64 72-01 Set of gaskets
 2 = 503 56 46-01 Dichtungssatz
 Jeu de joints
 Juego de juntas
 Packningssatz

N = New part
 Neues teil
 Nouvelle piece
 Nueva pieza